



INTERCONNECT DEVICES, INC.



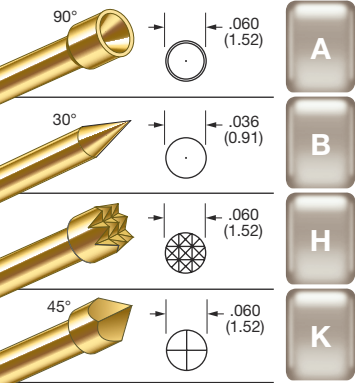
High-Current Probes

smiths

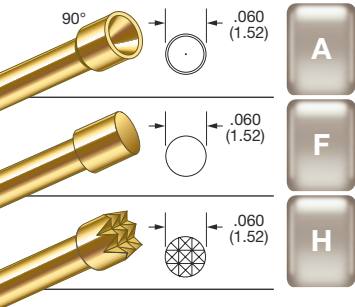
bringing technology to life

SH-100 and SHE-100 .100 CENTERS

SHE-100 PLUNGER TIPS



SH-100 PLUNGER TIPS



PROBE SPECIFICATIONS

Minimum Centers: .100 (2.54)

Current Rating:

SHE-100: 8 amps continuous
SH-100: 15 amps continuous
(Individual probe in free air @ ambient temperature)

Spring Force:

4.0 oz. or 6.7 oz. @ .170 (4.32) travel

Maximum Travel: .250 (6.35)

Working Travel: .170 (4.32)

Rated Force oz. (g)	Preload oz. (g)
4.0* (113)	1.6 (45)
6.7 (190)	2.4 (68)

* SH-100 only

MATERIALS

Barrel: High performance copper alloy, gold plated

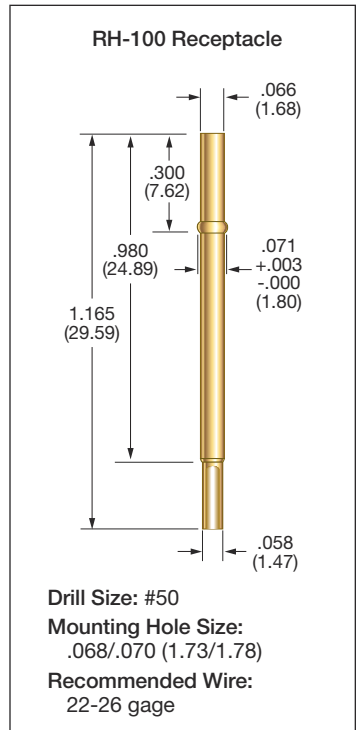
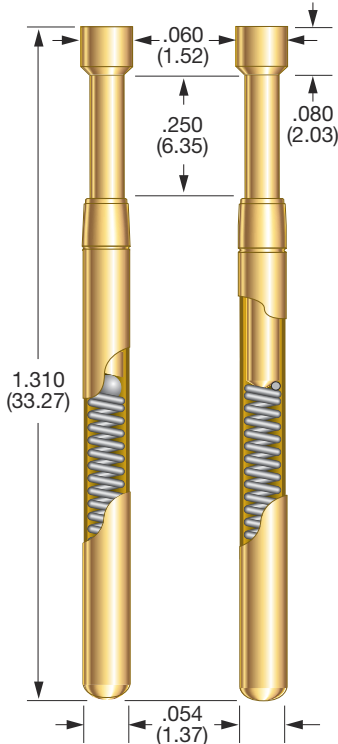
Spring: Stainless steel

Plunger: Beryllium copper, gold plated

Ball: SH probe: Stainless steel

Receptacle: Copper alloy, gold plated

SH-100 SHE-100

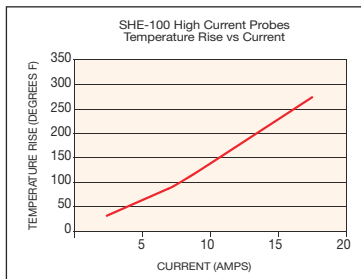
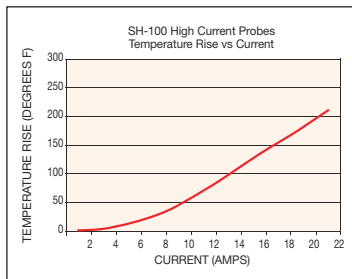


Drill Size: #50

Mounting Hole Size: .068/.070 (1.73/1.78)

Recommended Wire: 22-26 gage

.100 CENTER HIGH CURRENT PROBES



ID1 current ratings are defined as the maximum current at which the temperature rise of the probe does not exceed 144°F (80°C) for a single probe in free air at ambient temperature for one hour.

RECEPTACLE OPTIONS

Part Number	Style	Receptacle Length	Probe/Receptacle Combined Length	Comments
RH-100-SC	Solder Cup	1.165 (29.59)	1.495 (37.97)	—
RH-100-WW-429	Wire Wrap	1.594 (40.49)	1.924 (48.87)	.429 post length - .025 sq.

HOW TO ORDER: SPRING CONTACT PROBE

SHE **100** **A** **6.7** **G**
 SERIES SIZE TIP STYLE SPRING FORCE PLATING OPTIONS

SERIES:
SHE: 8 AMPS
SH: 15 AMPS

SPRING FORCE:
4.0* oz. @ .170 (4.32) TRAVEL
6.7 oz. @ .170 (4.32) TRAVEL

* SH-100 ONLY

RECEPTACLE

RH **100** **WW** **429**
 SERIES SIZE TERMINATION POST LENGTH

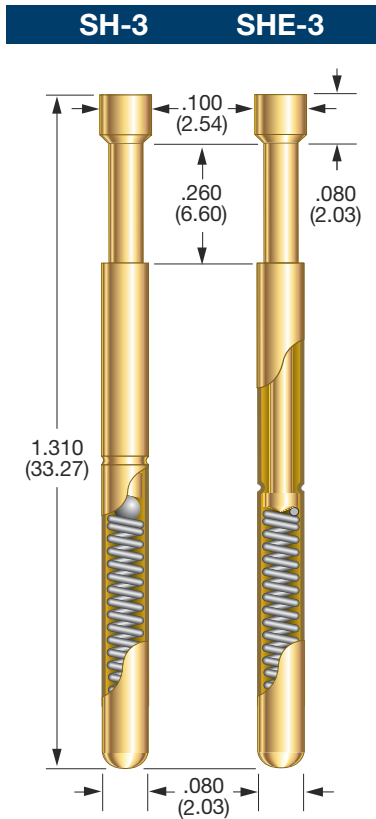
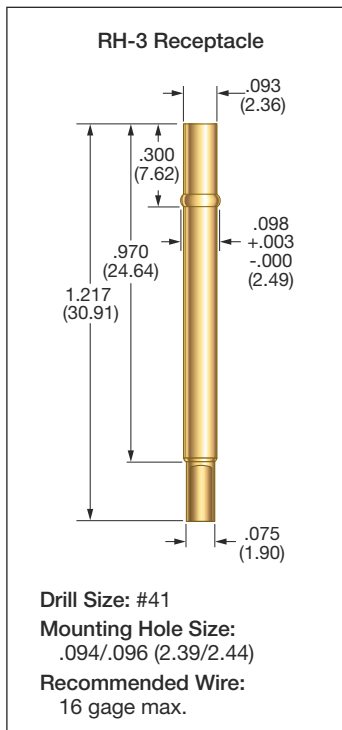
TERMINATIONS:
SC: SOLDER CUP
WW: WIRE WRAP

POST LENGTH
WW: 429

VIEW UPDATES OF THIS INFORMATION AT WWW.IDINET.COM

Specifications subject to change without notice. Dimensions in inches (millimeters)

.125 CENTERS SH-3 and SHE-3



PROBE SPECIFICATIONS

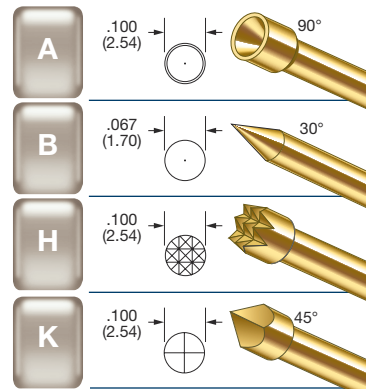
Minimum Centers: .125 (3.18)
 Current Rating:
 SHE-3: 14 amps continuous
 SH-3: 27 amps continuous
 (Individual probe in free air @ ambient temperature)
 Spring Force: 7.0 oz. @ .170 (4.32) travel
 Maximum Travel: .250 (6.35)
 Working Travel: .170 (4.32)

Rated Force oz. (g)	Preload oz. (g)
7.0 (199)	2.9 (82)

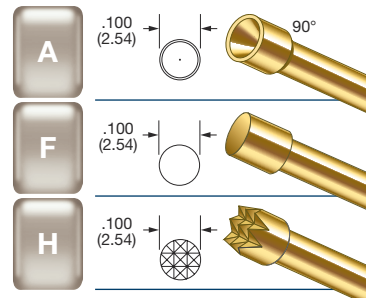
MATERIALS

Barrel: High performance copper alloy, gold plated
 Spring: Stainless steel
 Plunger: Beryllium copper, gold plated
 Ball: SH probe: Stainless steel
 Receptacle: Copper alloy, gold plated

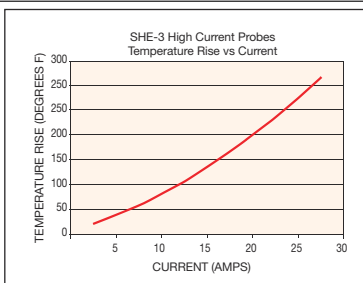
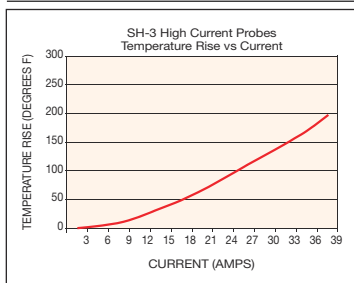
SHE-3 PLUNGER TIPS



SH-3 PLUNGER TIPS



.125 CENTER HIGH CURRENT PROBES



IDL current ratings are defined as the maximum current at which the temperature rise of the probe does not exceed 144°F (80°C) for a single probe in free air at ambient temperature for one hour.

RECEPTACLE OPTIONS

Part Number	Style	Receptacle Length	Probe/Receptacle Combined Length	Comments
RH-3-SC	Solder Cup	1.217 (30.91)	1.539 (39.09)	—

HOW TO ORDER: SPRING CONTACT PROBE

SHE **3** **A** **7** **G**
 SERIES SIZE TIP STYLE SPRING FORCE PLATING OPTIONS

SERIES:
 SHE: 14 AMPS
 SH: 27 AMPS

RECEPTACLE

RH **3** **SC**
 SERIES SIZE TERMINATION

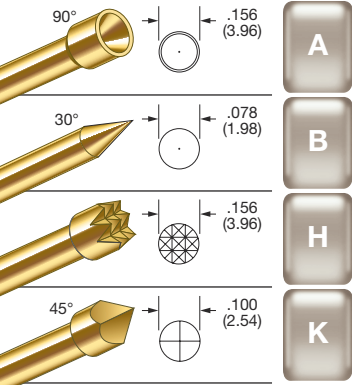
TERMINATIONS:
 SC: SOLDER CUP

VIEW UPDATES OF THIS INFORMATION AT WWW.IDINET.COM

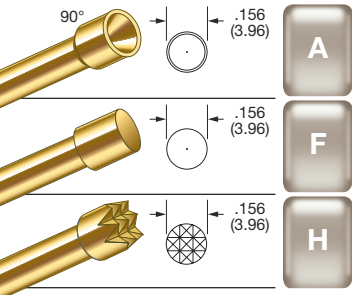
Specifications subject to change without notice. Dimensions in inches (millimeters)

SH-4 and SHE-4 .156 AND .187 CENTERS

SHE-4 PLUNGER TIPS



SH-4 PLUNGER TIPS



PROBE SPECIFICATIONS

Minimum Centers:
 .156 (3.96) tips B, K
 .187 (4.75) tips A, F, H

Current Rating:
 SHE-4: 21 amps continuous
 SH-4: 32 amps continuous
 (Individual probe in free air @ ambient temperature)

Spring Force:
 10.0 oz. @ .170 (4.32) travel

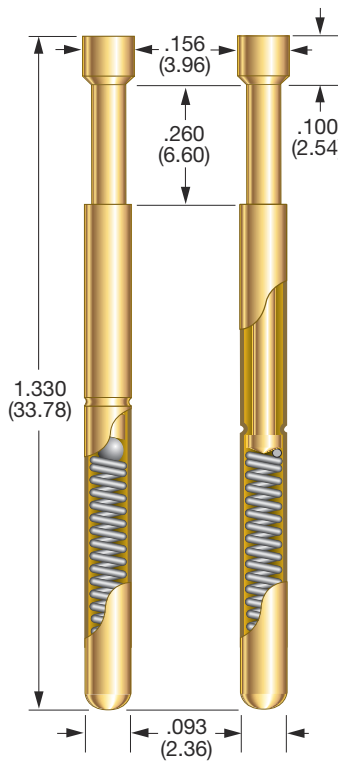
Maximum Travel: .250 (6.35)
Working Travel: .170 (4.32)

Rated Force oz. (g)	Preload oz. (g)
10.0 (283)	4.0 (115)

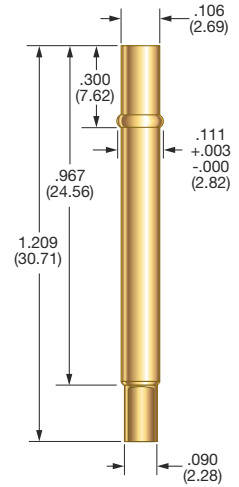
MATERIALS

Barrel: High performance copper alloy, gold plated
Spring: Stainless steel
Plunger: Beryllium copper, gold plated
Ball: SH probe: Stainless steel
Receptacle: Copper alloy, gold plated

SH-4 SHE-4

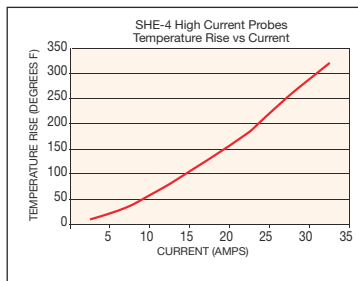
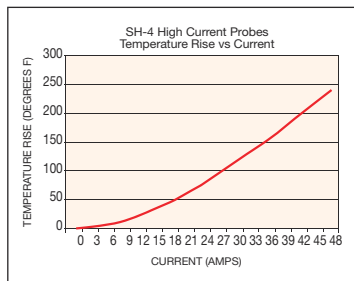


RH-4 Receptacle



Drill Size: #35
Mounting Hole Size: .108/.100 (2.74/2.79)
Recommended Wire: 16 gage max.

.156 AND .187 CENTER HIGH CURRENT PROBES



IDI current ratings are defined as the maximum current at which the temperature rise of the probe does not exceed 144°F (80°C) for a single probe in free air at ambient temperature for one hour.

RECEPTACLE OPTIONS

Part Number	Style	Receptacle Length	Probe/Receptacle Combined Length	Comments
RH-4-SC	Solder Cup	1.209 (30.71)	1.539 (39.09)	—

HOW TO ORDER: SPRING CONTACT PROBE

SHE SERIES
4 SIZE
A TIP STYLE
10 SPRING FORCE
G PLATING OPTIONS

SERIES:
 SHE: 21 AMPS
 SH: 32 AMPS

RECEPTACLE

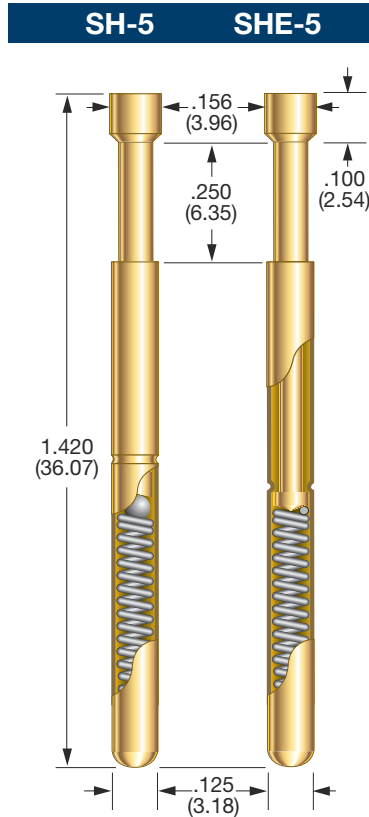
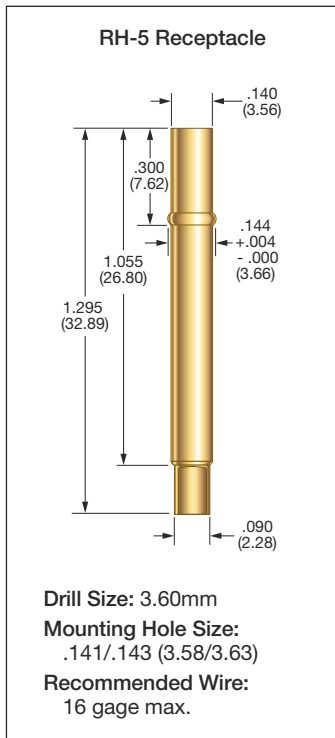
RH SERIES
4 SIZE
SC TERMINATION

TERMINATIONS:
 SC: SOLDER CUP

VIEW UPDATES OF THIS INFORMATION AT WWW.IDINET.COM

Specifications subject to change without notice. Dimensions in inches (millimeters)

.187 CENTERS SH-5 and SHE-5



PROBE SPECIFICATIONS

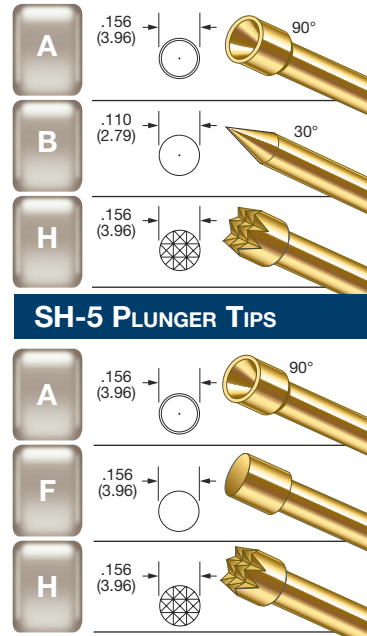
Minimum Centers: .187 (4.75)
Current Rating:
 SHE-5: 23 amps continuous
 SH-5: 39 amps continuous
 (Individual probe in free air @ ambient temperature)
Spring Force: 18.7 oz. @ .170 (4.32) travel
Maximum Travel: .250 (6.35)
Working Travel: .170 (4.32)

Rated Force oz. (g)	Preload oz. (g)
18.7 (531)	7.2 (204)

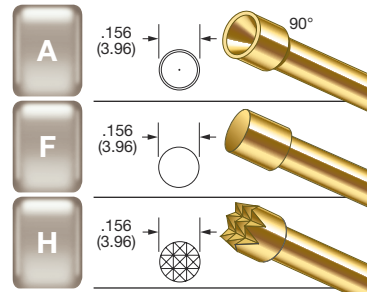
MATERIALS

Barrel: High performance copper alloy, gold plated
Spring: Stainless steel
Plunger: Beryllium copper, gold plated
Ball: SH probe: Stainless steel
Receptacle: Copper alloy, gold plated

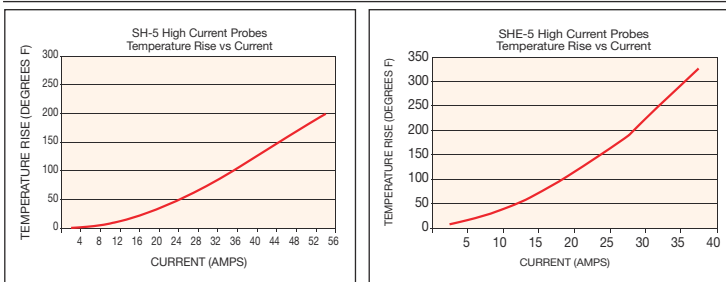
SHE-5 PLUNGER TIPS



SH-5 PLUNGER TIPS



.187 CENTER HIGH CURRENT PROBES



IDL current ratings are defined as the maximum current at which the temperature rise of the probe does not exceed 144°F (80°C) for a single probe in free air at ambient temperature for one hour.

RECEPTACLE OPTIONS

Part Number	Style	Receptacle Length	Probe/Receptacle Combined Length	Comments
RH-5-SC	Solder Cup	1.295 (32.89)	1.620 (41.15)	—

HOW TO ORDER: SPRING CONTACT PROBE

SHE **5** **A** **18.7** **G**

SERIES SIZE TIP STYLE SPRING FORCE PLATING OPTIONS

SERIES:
SHE: 23 AMPS
SH: 39 AMPS

RECEPTACLE

RH **5** **SC**

SERIES SIZE TERMINATION

TERMINATIONS:
SC: SOLDER CUP

VIEW UPDATES OF THIS INFORMATION AT WWW.IDINET.COM

Specifications subject to change without notice. Dimensions in inches (millimeters)



GLOBAL SALES OFFICES

Customer Service

Kansas City, KS	913.342.5544	China	86.512.6273.1170
Sunnyvale, CA	408.834.1436	Singapore	65.6846.1655

Sales and Applications Engineering

Kansas City, KS	913.342.5544	France	33.617.93.1564
Sunnyvale, CA	408.834.1419	Germany	49.173.669.8335
Dallas, TX	972.899.2860	Italy	39.347.222.3420
Gilbert, AZ	480.682.6200	Israel	39.347.222.3420
Boston, MA	508.222.1132	United Kingdom	44.1869.245630
Southern CA	951.837.5385		
Malaysia	65.6846.1655	Philippines	63.92855.26843
Singapore	65.6846.1655	Korea	82.10.4939.3269
Taiwan	886.936.857.752	China	86.512.6273.1069

5101 Richland Ave., Kansas City, KS 66106

Phone: 913.342.5544 • Fax: 913.342.7043

E-mail: info@idinet.com

www.idinet.com

© 2011 Interconnect Devices, Inc.

INNOVATORS IN INTERCONNECT TECHNOLOGY

www.idinet.com