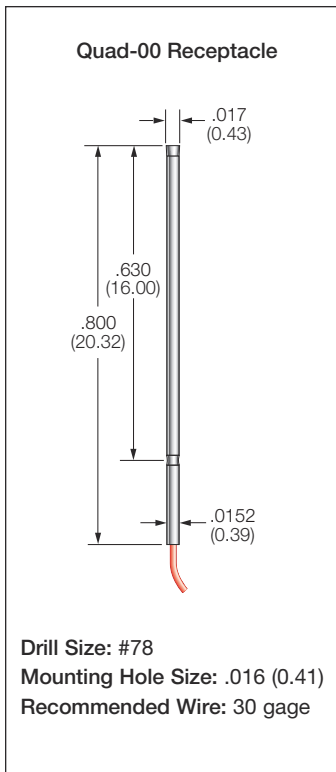




Board Test Probes

.020 Centers Quad 00

QUAD-00 PROBE



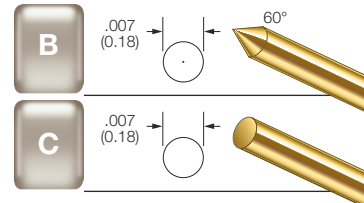
PROBE SPECIFICATIONS

Minimum Centers: .020 (0.51)
 Current Rating: 0.3 amps continuous
 Spring Force: 0.75 oz. (21g) @ .067 (1.70) travel
 Preload Force: 0.23 oz. (6.5g)
 Typical Resistance: < 160 mΩ
 Maximum Travel: .100 (2.54)
 Working Travel: .067 (1.70)

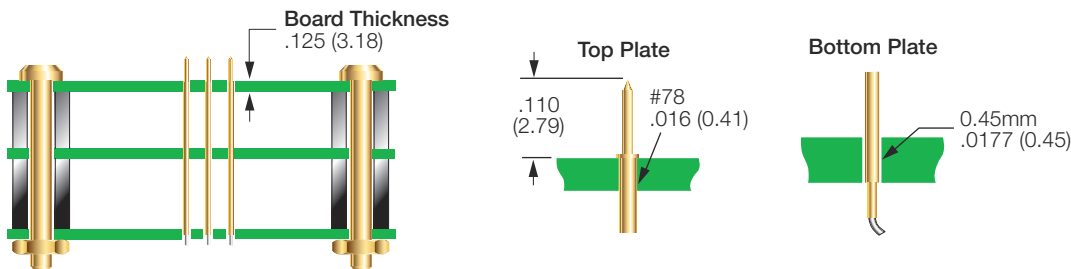
MATERIALS

Barrel: Gold alloy
 Spring: Music wire, gold plated
 Plunger: Steel, gold plated over nickel
 Receptacle: Nickel/silver, gold lined inside

STEEL PLUNGER TIPS



FIXTURING OPTIONS



RECEPTACLE OPTIONS

Part Number	Style	Receptacle Length	Probe/Receptacle Combined Length
Quad-00-Rec*	Preattached Wire	0.800 (20.32)	0.910 (23.11)

* Unless otherwise specified, wire length 36", strip length 1", 30 gage wire preattached

HOW TO ORDER: SPRING CONTACT PROBE

QUAD-00B

SERIES & TIP
 00B: SPEAR POINT
 00C: FLAT TIP

RECEPTACLE

QUAD-00REC

SERIES

36

WIRE LENGTH
(IN INCHES)

1

STRIP LENGTH
(IN INCHES)

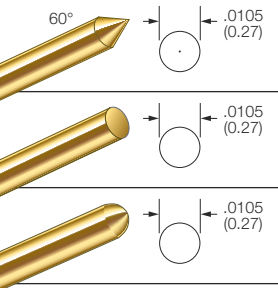
* UNLESS OTHERWISE SPECIFIED, WIRE LENGTH 36", STRIP LENGTH 1", 30 GAGE WIRE PREATTACHED. 12" & 36" STANDARD.

VIEW UPDATES OF THIS INFORMATION AT WWW.IDINET.COM

Specifications subject to change without notice. Dimensions in inches (millimeters)

Quad 0 .020 - .030 Centers

STEEL PLUNGER TIPS



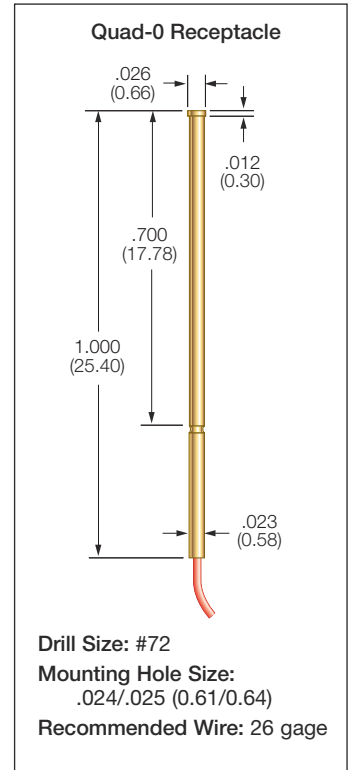
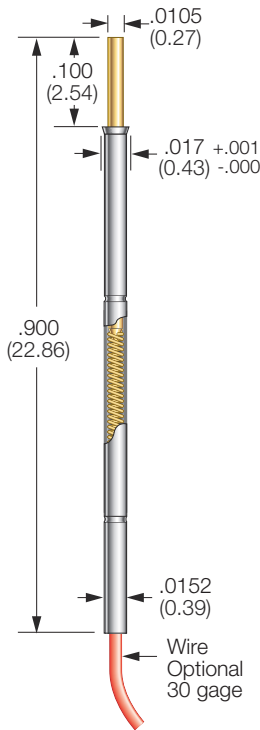
PROBE SPECIFICATIONS

Minimum Centers:
 Without Receptacle: .020 (0.51)
 With Receptacle: .030 (0.76)
Current Rating: 0.5 amps continuous
Spring Force: 0.7 oz. (20g) @ .045 (1.14) travel
Preload Force: 0.4 oz. (11g)
Typical Resistance: < 60 mΩ
Maximum Travel: .100 (2.54)
Working Travel: .045 (1.14)

MATERIALS

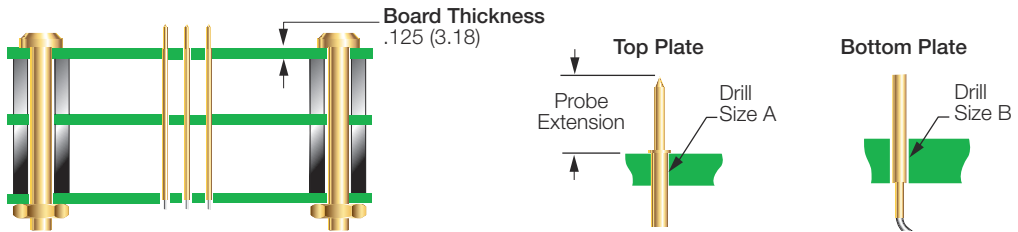
Barrel: Nickel/silver, gold lined
Spring: Stainless steel, gold plated
Plunger: Steel, gold plated over nickel
Receptacle: Nickel/silver, gold plated

QUAD-0 PROBE



FIXTURING OPTIONS

Quad 0 Probe	Quad 0 Receptacle
Probe Extension: .110 (2.79)	Probe Extension: .210 (5.33)
Drill Size A - #78: .016 (0.41)	Drill Size A - #72: .025 (0.64)
Drill Size B - 0.45mm: .0177 (0.45)	Drill Size B - 0.70 mm: .0276 (0.70)



RECEPTACLE OPTIONS

Part Number	Style	Receptacle Length	Probe/Receptacle Combined Length
Quad-0-Rec*	Preattached Wire	1.000 (25.40)	1.200 (30.48)

HOW TO ORDER: SPRING CONTACT PROBE

QUAD-0C SERIES & TIP
36 WIRE LENGTH (IN INCHES)
1 STRIP LENGTH (IN INCHES)

* UNLESS OTHERWISE SPECIFIED, WIRE LENGTH 36", STRIP LENGTH 1", 30 GAGE WIRE PREATTACHED. 12" & 36" STANDARD.

RECEPTACLE

QUAD-0 REC SERIES
36 WIRE LENGTH (IN INCHES)
1 STRIP LENGTH (IN INCHES)

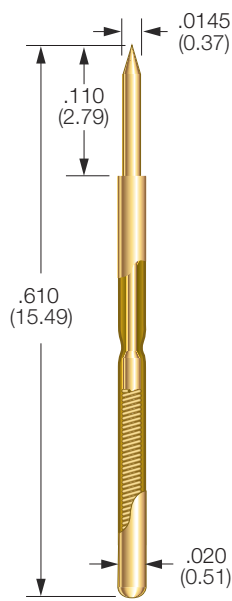
* UNLESS OTHERWISE SPECIFIED, WIRE LENGTH 36", STRIP LENGTH 1", 26 GAGE WIRE PREATTACHED. 12" & 36" STANDARD.

VIEW UPDATES OF THIS INFORMATION AT WWW.IDINET.COM

Specifications subject to change without notice. Dimensions in inches (millimeters)

.039 Centers - Size 30 Series SS

SS-30 Probe



PROBE SPECIFICATIONS

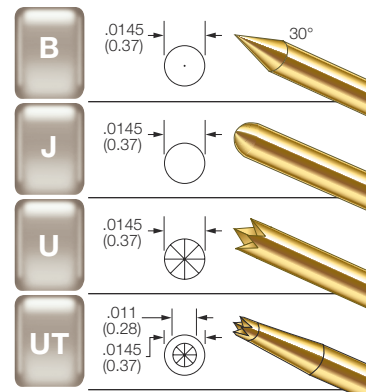
Minimum Centers: .039 (0.99)
Current Rating: 3 amps continuous
Spring Force: 1.3 or 1.6 oz. @ .067 (1.70) travel
Typical Resistance: < 40 mΩ
Maximum Travel: .100 (2.54)
Working Travel: .067 (1.70)

Rated Force oz. (g)	Preload oz. (g)	Material
1.3 (37)	0.5 (14)	SS
1.6 (45)	0.5 (14)	MW

MATERIALS

Barrel: Nickel/silver, preplated gold
Spring: Stainless steel or music wire, gold plated
Plunger: Beryllium copper, gold plated over nickel or Duralloy™
Receptacle: Nickel/silver, preplated gold

BeCu PLUNGER TIPS



RECEPTACLE OPTIONS

Part Number	Style	Receptacle Length	Probe/Receptacle Combined Length	Comments
R-SS-30-CR	Crimp	0.697 (17.70)	0.807 (20.50)	-
R-SS-30-SC	Solder Cup	0.697 (17.70)	0.807 (20.50)	-
R-SS-30-PS	Preattached Wire*	0.697 (17.70)	0.807 (20.50)	30 gage, vacuum sealed

HOW TO ORDER: SPRING CONTACT PROBE

SS SERIES **30** SIZE **B** TIP STYLE **1.3** SPRING FORCE **G** PLATING OPTIONS

SPRING FORCE:
 1.3 oz. @ .067 (1.70) TRAVEL
 1.6 oz. @ .067 (1.70) TRAVEL

PLATING OPTIONS:
G: GOLD PLATED PLUNGER
D: DURALLOY™ PLATED PLUNGER

CRIMPING PLIERS: CPSS30
INSERTION TOOL: RTSS30

RECEPTACLE

R-SS SERIES **30** SIZE **CR** TERMINATIONS

TERMINATIONS:
CR: CRIMP
SC: SOLDER CUP
PS: PREATTACHED WIRE*

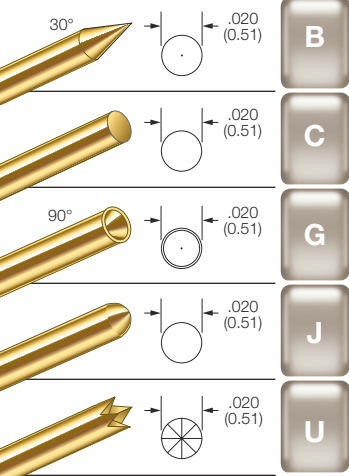
* UNLESS OTHERWISE SPECIFIED, WIRE LENGTH 36" WITH A 1" SEMI-STRIP. 12" & 36" STANDARD.

VIEW UPDATES OF THIS INFORMATION AT WWW.IDINET.COM

Specifications subject to change without notice. Dimensions in inches (millimeters)

Series S Size 00 - .039 Centers

BeCu PLUNGER TIPS



PROBE SPECIFICATIONS

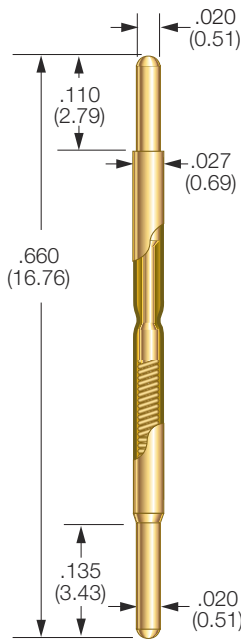
Minimum Centers: .039 (0.99)
 Current Rating: 3 amps continuous
 Spring Force: 1.3 or 1.6 oz. @ .050 (1.27) travel
 Typical Resistance: < 55 mΩ
 Maximum Travel: .090 (2.29)
 Working Travel: .050 (1.27)

Rated Force oz. (g)	Preload oz. (g)	Material
1.3 (37)	0.6 (17)	BeCu
1.6 (45)	0.7 (20)	SS

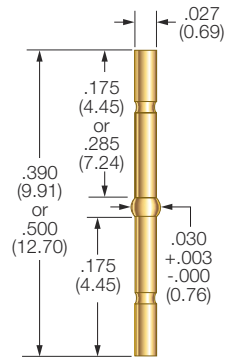
MATERIALS

Barrel: Nickel/silver, preplated gold
 Spring: Beryllium copper or stainless steel, gold plated
 Plunger: Beryllium copper, gold plated over nickel or Duralloy™
 Receptacle: Nickel/silver, gold plated
 Plug-In Terminal: Beryllium copper, preplated gold

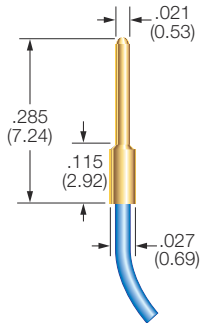
S-00 PROBE



R-00 Receptacles R00-W-390 / R00-W-500



FP-Plug



Drill Size: 0.75mm
 Mounting Hole Size: .028/.0295 (0.71/0.75)
 Recommended Wire: 30 gage

RECEPTACLE OPTIONS

Part Number	Style	Receptacle or Terminal Length	Probe/Receptacle Combined Length	Probe/Receptacle/Terminal Combined Length
R-00-W-390	Receptacle	0.390 (9.91)	0.915 (23.24)	1.03 (26.16)
R-00-W-500	Receptacle	0.500 (12.70)	1.025 (26.04)	1.14 (28.96)
FP-Plug	Plug-In Terminal*	0.285 (7.24)	—	—

*To order with preattached wire, add wire length and strip length (in inches) to the end of the part number. For example: R-00-W-390-36-1 or FP-Plug-36-1

HOW TO ORDER: SPRING CONTACT PROBE

S	00	J	1.3	G
SERIES	SIZE	TIP STYLE	SPRING FORCE	PLATING OPTIONS

SPRING FORCE:
 1.3 oz. @ .050 (1.27) TRAVEL
 1.6 oz. @ .050 (1.27) TRAVEL

PLATING OPTIONS:
G: GOLD PLATED PLUNGER
D: DURALLOY™ PLATED PLUNGER

CRIMPING PLIERS:
 CP00W-390
 CP00W-500
 INSERTION TOOL: RT00

RECEPTACLE

R	00	W	390
SERIES	SIZE	TERMINATION	LENGTH

TERMINATIONS:
W: RECEPTACLE

LENGTHS:
 390 OR 500

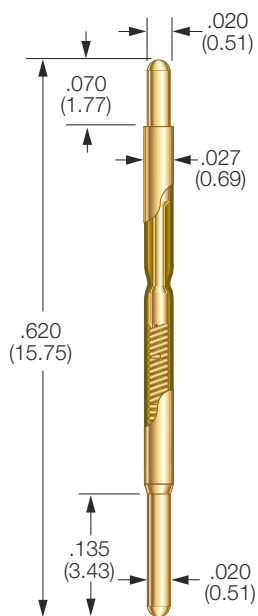
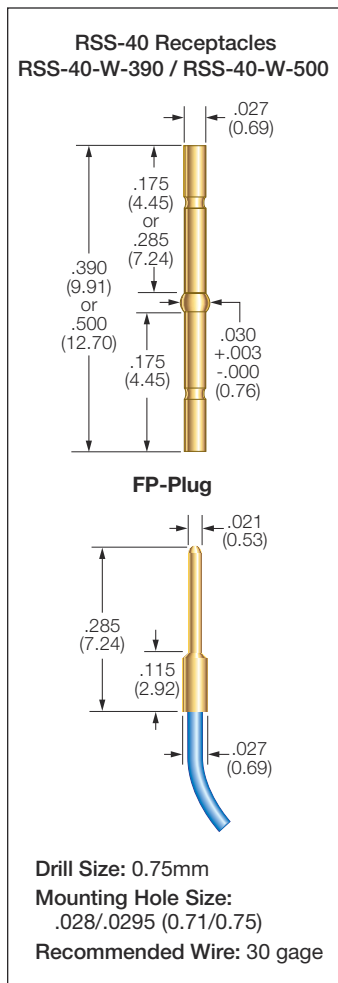
* TO ORDER WITH PREATTACHED WIRE, ADD WIRE LENGTH AND STRIP LENGTH (IN INCHES) TO THE END OF THE PART NUMBER. 12" AND 36" STANDARD.

VIEW UPDATES OF THIS INFORMATION AT WWW.IDINET.COM

Specifications subject to change without notice. Dimensions in inches (millimeters)

.039 Centers - Size 40 Series SS

SS-40 PROBE



PROBE SPECIFICATIONS

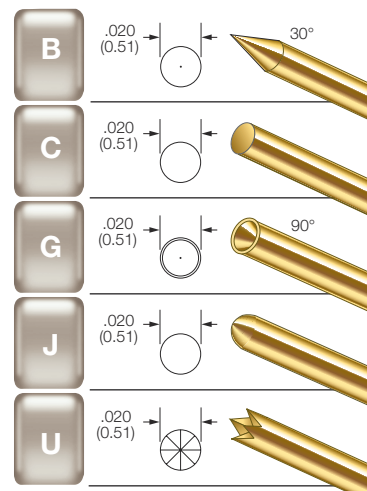
Minimum Centers: .039 (0.99)
Current Rating: 3 amps continuous
Spring Force: 1.8 or 2.4 oz. @ .050 (1.27) travel
Typical Resistance: < 55 mΩ
Maximum Travel: .050 (1.27)
Working Travel: .050 (1.27)

Rated Force oz. (g)	Preload oz. (g)	Material
1.8 (51)	1.1 (31)	BeCu
2.4 (68)	1.5 (43)	SS

MATERIALS

Barrel: Nickel/silver, preplated gold
Spring: Beryllium copper or stainless steel, gold plated
Plunger: Beryllium copper, gold plated over nickel or Duralloy™
Receptacle: Nickel/silver, gold plated
Plug-In Terminal: Beryllium copper, preplated gold

BeCu PLUNGER TIPS



RECEPTACLE OPTIONS

Part Number	Style	Receptacle or Terminal Length	Probe/Receptacle Combined Length	Probe/Receptacle/Terminal Combined Length
RSS-40-W-390	Receptacle	0.390 (9.91)	0.875 (22.23)	.990 (25.15)
RSS-40-W-500	Receptacle	0.500 (12.70)	0.985 (25.02)	1.100 (27.94)
FP-Plug	Plug-In Terminal*	0.285 (7.24)	—	—

*To order with preattached wire, add wire length and strip length (in inches) to the end of the part number. For example: R-00-W-390-36-1 or FP-Plug-36-1

HOW TO ORDER: SPRING CONTACT PROBE

SS **40** **J** **1.8** **G**

SERIES SIZE TIP STYLE SPRING FORCE PLATING OPTIONS

SPRING FORCE:
1.8 oz. @ .050 (1.27) TRAVEL
2.4 oz. @ .050 (1.27) TRAVEL

PLATING OPTIONS:
G: GOLD PLATED PLUNGER
D: DURALLOY™ PLATED PLUNGER

CRIMPING PLIERS:
CPSS40W-390
CPSS40W-500
INSERTION TOOL: RTSS40

RECEPTACLE

R-SS **40** **W** **390**

SERIES SIZE TERMINATION LENGTH

TERMINATIONS:
W: RECEPTACLE

LENGTHS:
390 OR 500

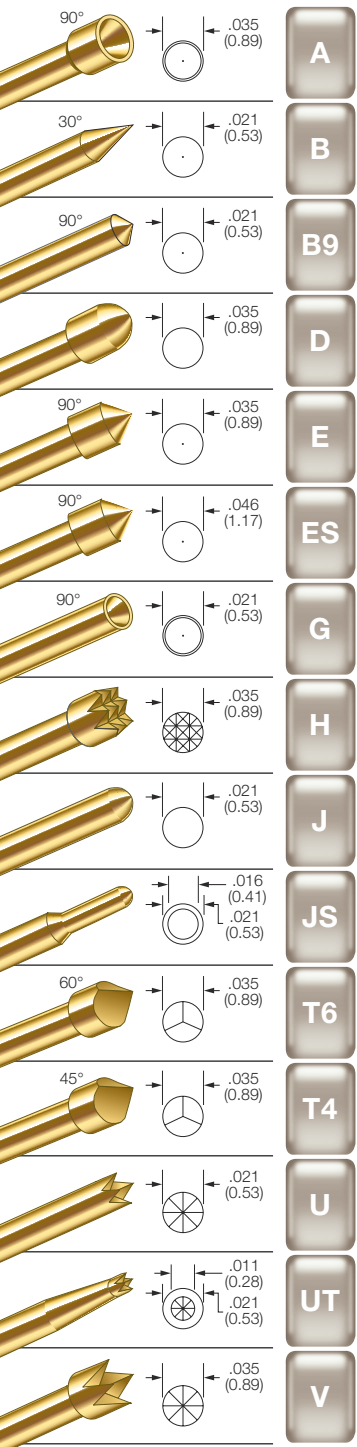
* TO ORDER WITH PREATTACHED WIRE, ADD WIRE LENGTH AND STRIP LENGTH (IN INCHES) TO THE END OF THE PART NUMBER. FOR EXAMPLE: RSS-40-W-390-36-1. 12" & 36" STANDARD.

VIEW UPDATES OF THIS INFORMATION AT WWW.IDINET.COM

Specifications subject to change without notice. Dimensions in inches (millimeters)

Series S Size 0 - .050 Centers

BeCu PLUNGER TIPS



PROBE SPECIFICATIONS

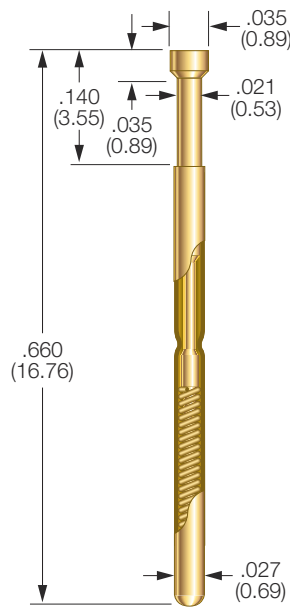
Minimum Centers: .050 (1.27)
Current Rating: 3 amps continuous
Spring Force: 2.2, 2.5 or 3.7 oz. @ .070 (1.78) travel
Typical Resistance: < 35 mΩ
Maximum Travel: .100 (2.54)
Working Travel: .070 (1.78)

Rated Force oz. (g)	Preload oz. (g)	Material
2.2 (62)	0.6 (17)	BeCu
2.5 (71)	0.6 (17)	SS
3.7 (105)	1.9 (54)	MW

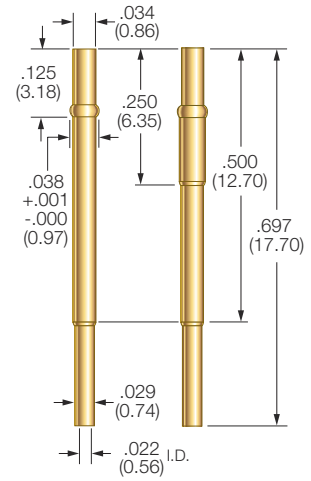
MATERIALS

Barrel: Nickel/silver, gold plated
Spring: Beryllium copper, music wire or stainless steel, gold plated
Plunger: Beryllium copper, gold plated over nickel or Duralloy™
Receptacle: Nickel/silver, gold plated, gold plated post
Plug-In Terminal: Beryllium copper, preplated gold

S-0 PROBE



R-0 Receptacles



Drill Size: #64
Mounting Hole Size: .035/.0365 (0.89/0.93)
Recommended Wire: 28-30 gage

RECEPTACLE OPTIONS

Part Number	Style	Receptacle Length	Probe/Receptacle Combined Length	Comments
R-0-CR	Crimp	0.697 (17.70)	0.857 (21.77)	—
R-0-SC	Solder Cup	0.697 (17.70)	0.857 (21.77)	—
R-0-WW-016	Wire Wrap	0.947 (24.05)	1.107 (28.12)	.250 post length - .016 sq.
R-0-WW-025	Wire Wrap	0.997 (25.32)	1.157 (29.39)	.300 post length - .025 sq.
R-0-PW	Preattached Wire	0.697 (17.70)	0.857 (21.77)	30 gage - non vacuum sealed*
R-0-DS	Duraseal®	0.697 (17.70)	0.857 (21.77)	30 gage - vacuum sealed*
R-0-WT	Plug-In Receptacle	0.697 (17.70)	0.857 (21.77)	For use with FP-Plug terminal
FP-Plug	Plug-In Terminal	—	—	Plugs into R-0-WT receptacle*

* Unless otherwise specified, wire length 36", strip length 1", 30 gage Kynar

HOW TO ORDER: SPRING CONTACT PROBE

S	0	A	2.2	G
SERIES	SIZE	TIP STYLE	SPRING FORCE	PLATING OPTIONS

SERIES:
S: STANDARD
SX: IMPROVED POINTING ACCURACY

PLATING OPTIONS:
G: GOLD PLATED PLUNGER
D: DURALLOY™ PLATED PLUNGER

SPRING FORCE:
 2.2 oz. @ .070 (1.78) TRAVEL
 2.5 oz. @ .070 (1.78) TRAVEL
 3.7 oz. @ .070 (1.78) TRAVEL

CRIMPING PLIERS: CP0
INSERTION TOOL: RT0
WIRE PLUG TOOL: RTWT

RECEPTACLE

R	0	CR
SERIES	SIZE	TERMINATION

SERIES:
R: HIGH PERFORMANCE
RX: IMPROVED POINTING ACCURACY

TERMINATIONS:
CR: CRIMP
SC: SOLDER CUP
WW-016: WIRE WRAP .016 SQ
WW-025: WIRE WRAP .025 SQ
PW: PREATTACHED WIRE*
DS: DURASEAL*
WT: PLUG-IN RECEPTACLE**

* UNLESS OTHERWISE SPECIFIED, WIRE LENGTH 36", STRIP LENGTH 1", 30 GAGE KYNAR. 12" & 36" STANDARD.

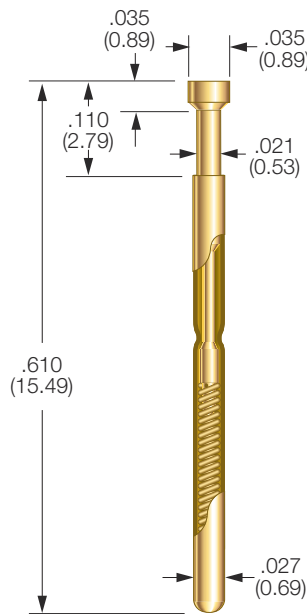
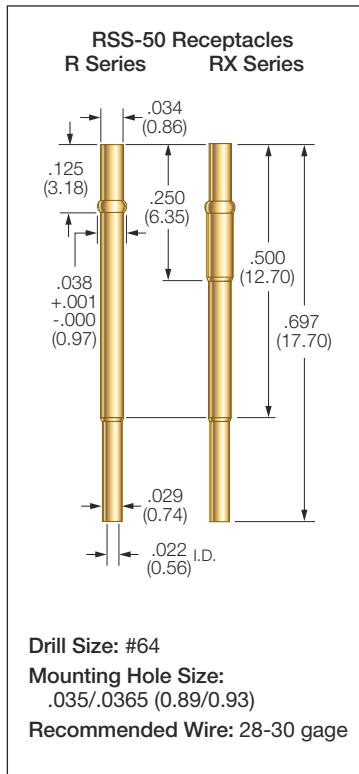
**FOR USE WITH FP-PLUG TERMINAL. 12" & 36" STANDARD

VIEW UPDATES OF THIS INFORMATION AT WWW.IDINET.COM

Specifications subject to change without notice. Dimensions in inches (millimeters)

.050 Centers - Size 50 Series SS

SS-50 PROBE



PROBE SPECIFICATIONS

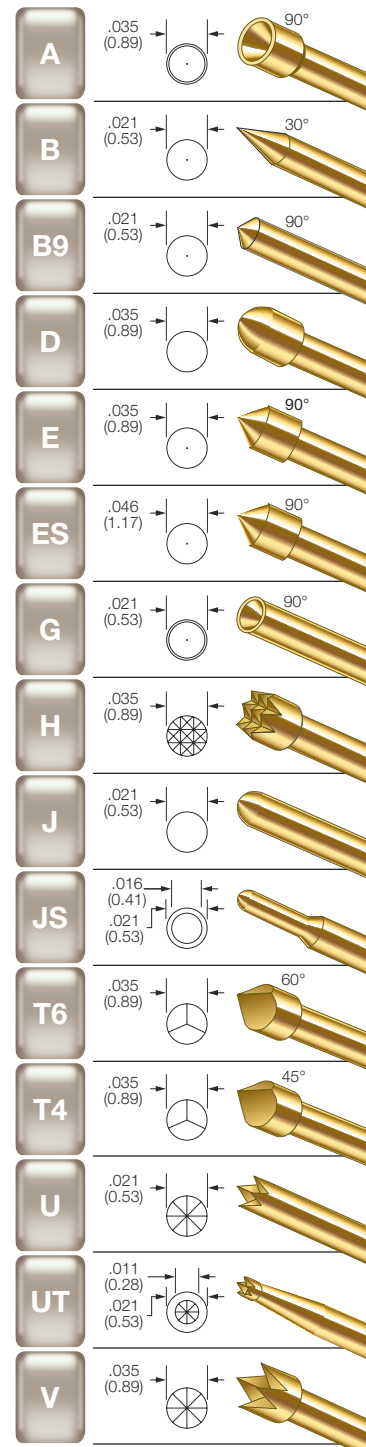
Minimum Centers: .050 (1.27)
Current Rating: 3 amps continuous
Spring Force: 2.9, 3.3 or 5.1 oz. @ .050 (1.27) travel
Typical Resistance: < 35 mΩ
Maximum Travel: .070 (1.78)
Working Travel: .050 (1.27)

Rated Force oz. (g)	Preload oz. (g)	Material
2.9 (82)	1.1 (31)	BeCu
3.3 (94)	1.7 (48)	SS
5.1 (145)	1.5 (42)	MW

MATERIALS

Barrel: Nickel/silver, gold plated
Spring: Beryllium copper, stainless steel or music wire, gold plated
Plunger: Beryllium copper, gold plated over nickel or Duralloy™
Receptacle: Nickel/silver, gold plated, gold plated post
Plug-In Terminal: Beryllium copper, preplated gold

BeCu PLUNGER TIPS



RECEPTACLE OPTIONS

Part Number	Style	Receptacle Length	Probe/Receptacle Combined Length	Comments
RSS-50-CR	Crimp	0.697 (17.70)	0.807 (20.50)	—
RSS-50-SC	Solder Cup	0.697 (17.70)	0.807 (20.50)	—
RSS-50-WW-016	Wire Wrap	0.947 (24.05)	1.057 (26.85)	.250 post length - .016 sq.
RSS-50-WW-025	Wire Wrap	0.997 (25.32)	1.107 (28.12)	.300 post length - .025 sq.
RSS-50-PW	Preattached Wire	0.697 (17.70)	.807 (20.50)	30 gage - non vacuum sealed*
RSS-50-DS	Duraseal*	0.697 (17.70)	.807 (20.50)	30 gage - vacuum sealed*
RSS-50-WT	Plug-In Receptacle	0.697 (17.70)	.807 (20.50)	For use with FP-Plug terminal
FP-Plug	Plug-In Terminal	—	—	Plugs into R-SS-50-WT receptacle*

* Unless otherwise specified, wire length 36", strip length 1", 30 gage Kynar

HOW TO ORDER: SPRING CONTACT PROBE

RECEPTACLE

SS **50** **A** **2.9** **G**
SERIES SIZE TIP STYLE SPRING FORCE PLATING OPTIONS

SERIES:
SS: STANDARD
SSX: IMPROVED POINTING ACCURACY

SPRING FORCE:
2.9 oz. @ .050 (1.27) TRAVEL
3.3 oz. @ .050 (1.27) TRAVEL
5.1 oz. @ .050 (1.27) TRAVEL

PLATING OPTIONS:
G: GOLD PLATED PLUNGER
D: DURALLOY™ PLATED PLUNGER

CRIMPING PLIERS: CPSS50
INSERTION TOOL: RTSS50
WIRE PLUG TOOL: RTWT

RSS **50** **CR**
SERIES SIZE TERMINATION

SERIES:
RSS: HIGH PERFORMANCE
RXSS: IMPROVED POINTING ACCURACY

* UNLESS OTHERWISE SPECIFIED, WIRE LENGTH 36", STRIP LENGTH 1", 30 GAGE KYNAR. 12" & 36" STANDARD.

**FOR USE WITH FP-PLUG TERMINAL. 12" & 36" STANDARD.

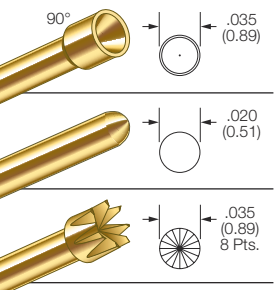
TERMINATIONS:
CR: CRIMP
SC: SOLDER CUP
WW-016: WIRE WRAP .016 SQ
WW-025: WIRE WRAP .025 SQ
PW: PREATTACHED WIRE*
DS: DURASEAL*
WT: PLUG-IN RECEPTACLE**

VIEW UPDATES OF THIS INFORMATION AT WWW.IDINET.COM

Specifications subject to change without notice. Dimensions in inches (millimeters)

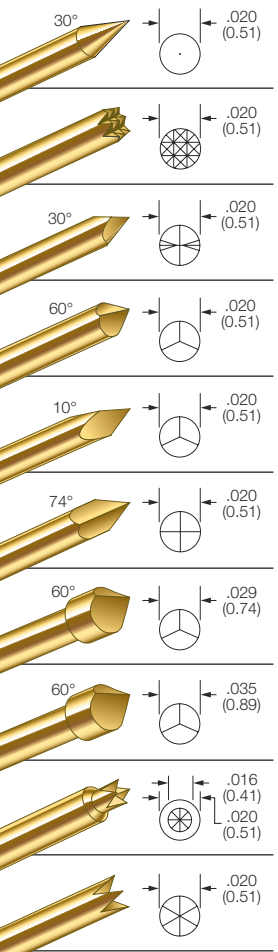
ICT-50C and S-50C Size 50C - .050 Centers

BeCu PLUNGER TIPS



- A**
- J**
- V8**

STEEL PLUNGER TIPS



- B**
- HS**
- M**
- S**
- SP**
- SW**
- T**
- TL**
- UR**
- Z**

PROBE SPECIFICATIONS

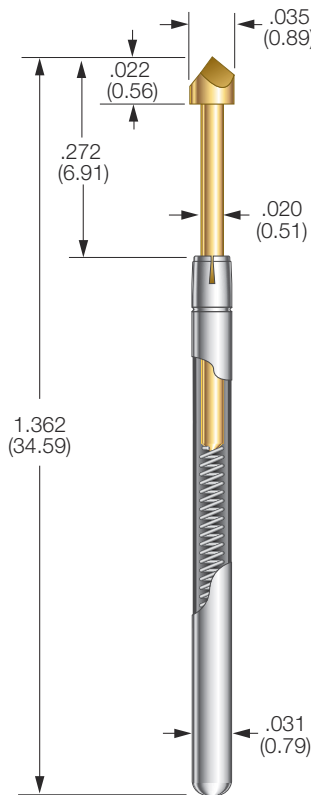
Minimum Centers: .050 (1.27)
Current Rating: 3 amps continuous
Spring Force: 4.3 or 5.6 oz. @ .170 (4.32) travel
Typical Resistance:
 < 20 mΩ for ICT-50C
 < 25 mΩ for S-50C
Maximum Travel: .250 (6.35)
Working Travel: .170 (4.32)

Rated Force oz. (g)	Preload oz. (g)	Material
4.3 (122)	1.9 (54)	SS
5.6 (159)	2.1 (60)	MW

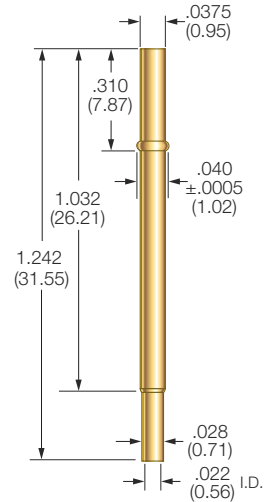
MATERIALS

Barrel: Nickel/silver, gold lined
Spring: Music wire, nickel plated or stainless steel
Plunger: Beryllium copper or steel, gold plated over nickel
Receptacle: Beryllium copper, preplated gold, gold plated post
Terminal: Beryllium copper, preplated gold

ICT-50C/S-50C PROBE



R-50C Receptacle



Drill Size: #61
Mounting Hole Size: .0385/.0390 (0.98/0.99)
Recommended Wire: 28-30 gage

RECEPTACLE OPTIONS

Part Number	Style	Receptacle Length	Probe/Receptacle Combined Length	Comments
R-50C-CR	Crimp	1.242 (31.54)	1.572 (39.92)	—
R-50C-SC	Solder Cup	1.242 (31.54)	1.572 (39.92)	—
R-50C-WW-016	Wire Wrap	1.492 (37.89)	1.822 (46.27)	.250 post length - .016 sq.
R-50C-WW-025	Wire Wrap	1.542 (39.16)	1.872 (47.55)	.300 post length - .025 sq.
R-50C-DS	Duraseal®	1.242 (31.54)	1.572 (39.92)	30 gage wire, vacuum sealed*
R-50C-WT	Plug-In Receptacle	1.242 (31.54)	1.572 (39.92)	For use with FP-Plug plug-in terminal
FP-Plug	Plug-In Terminal	—	—	Plugs into R-50C-WT receptacle*

* Unless otherwise specified, wire length 36", strip length 1", 30 gage Kynar

HOW TO ORDER: SPRING CONTACT PROBE

ICT	50C	T	5.6	DG	S
SERIES	SIZE	TIP STYLE	SPRING FORCE	PLATING OPTIONS	STEEL PLUNGER OPTION

SERIES:
ICT: HIGH PERFORMANCE
S: STANDARD PERFORMANCE,
 (NO BIFURCATED BEAM)

SPRING FORCE:
 4.3 oz. @ .170 (4.32) TRAVEL
 5.6 oz. @ .170 (4.32) TRAVEL

CRIMPING PLIERS: CPR50C
INSERTION TOOL: RTR50C

RECEPTACLE

R	50C	CR
SERIES	SIZE	TERMINATION

TERMINATIONS:
CR: CRIMP
SC: SOLDER CUP
WW-016: WIRE WRAP .016 SQ
WW-025: WIRE WRAP .025 SQ

DS: DURASEAL®
WT: PLUG-IN RECEPTACLE**

* UNLESS OTHERWISE SPECIFIED, WIRE LENGTH 36", STRIP LENGTH 1", 30 GAGE KYNAR. 12" & 36" STANDARD.

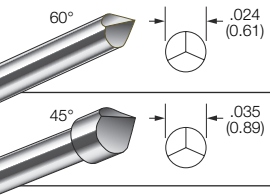
**FOR USE WITH FP-PLUG PLUG-IN TERMINAL. 12" & 36" STANDARD.

VIEW UPDATES OF THIS INFORMATION AT WWW.IDINET.COM

Specifications subject to change without notice. Dimensions in inches (millimeters)

S-50C Rotator .050 Centers

BeCu PLUNGER TIPS



PROBE SPECIFICATIONS

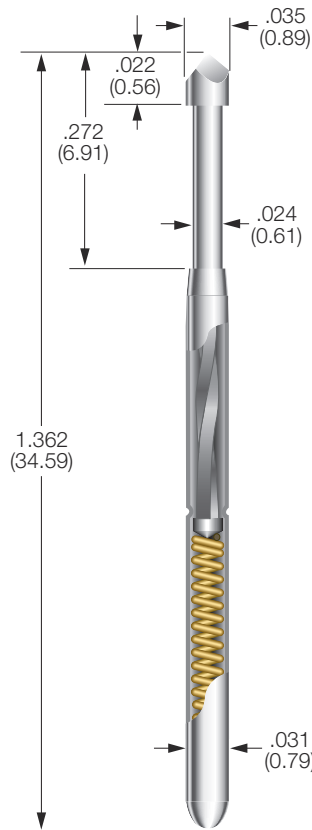
Minimum Centers: .050 (1.27)
 Current Rating: 3 amps continuous
 Spring Force: 3.7oz. @ .170 (4.32) travel
 Typical Resistance: < 25 mΩ
 Maximum Travel: .250 (6.35)
 Working Travel: .170 (4.32)
 Rotates: 85° @ .170 (4.32) travel

Rated Force oz. (g)	Preload oz. (g)
3.7 (105)	1.5 (42)

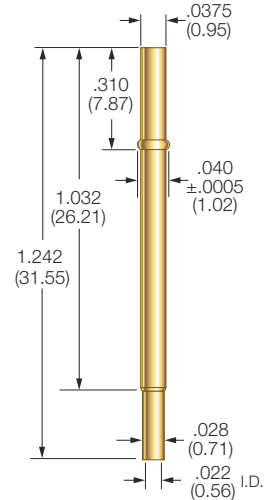
MATERIALS

Barrel: Nickel/silver, gold lined
 Spring: Music wire, gold plated
 Plunger: Beryllium copper, Duralloy™ plated
 Receptacle: Beryllium copper, preplated gold, gold plated post
 Plug-In Terminal: Beryllium copper, preplated gold

S-50C ROTATOR



R-50C Receptacle



Drill Size: #61
 Mounting Hole Size:
 .0385/.0390 (0.98/0.99)
 Recommended Wire: 28-30 gage

RECEPTACLE OPTIONS

Part Number	Style	Receptacle Length	Probe/Receptacle Combined Length	Comments
R-50C-CR	Crimp	1.242 (31.55)	1.572 (39.93)	—
R-50C-SC	Solder Cup	1.242 (31.55)	1.572 (39.93)	—
R-50C-WW-016	Wire Wrap	1.492 (37.88)	1.822 (46.28)	.250 post length - .016 sq.
R-50C-WW-025	Wire Wrap	1.542 (39.17)	1.872 (47.55)	.300 post length - .025 sq.
R-50C-DS	DuraSeal®	1.242 (31.55)	1.572 (39.93)	30 gage wire, vacuum sealed *
R-50C-WT	Plug-In Receptacle	1.242 (31.55)	1.572 (39.93)	For use with FP-Plug plug-in terminal
FP-Plug	Plug-In Terminal	—	—	Plugs into R-50C-WT receptacle *

* Unless otherwise specified, wire length 36", strip length 1", 30 gage Kynar

HOW TO ORDER: SPRING CONTACT PROBE

S	50C	TL	3.7	RT
SERIES	SIZE	TIP STYLE	SPRING FORCE	ROTATOR

CRIMPING PLIERS: CPR50C
 INSERTION TOOL: RTR50C

RECEPTACLE

R	50C	CR
SERIES	SIZE	TERMINATION

TERMINATIONS:

CR: CRIMP
 SC: SOLDER CUP
 WW-016: WIRE WRAP .016 SQ
 WW-025: WIRE WRAP .025 SQ

DS: DURASEAL*

WT: PLUG-IN RECEPTACLE **

* UNLESS OTHERWISE SPECIFIED, WIRE LENGTH 36", STRIP LENGTH 1", 30 GAGE KYNAR. 12" & 36" STANDARD.

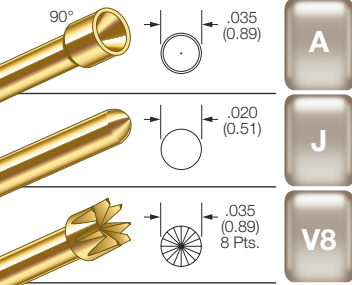
**FOR USE WITH FP-PLUG PLUG-IN TERMINAL. 12" & 36" STANDARD.

VIEW UPDATES OF THIS INFORMATION AT WWW.IDINET.COM

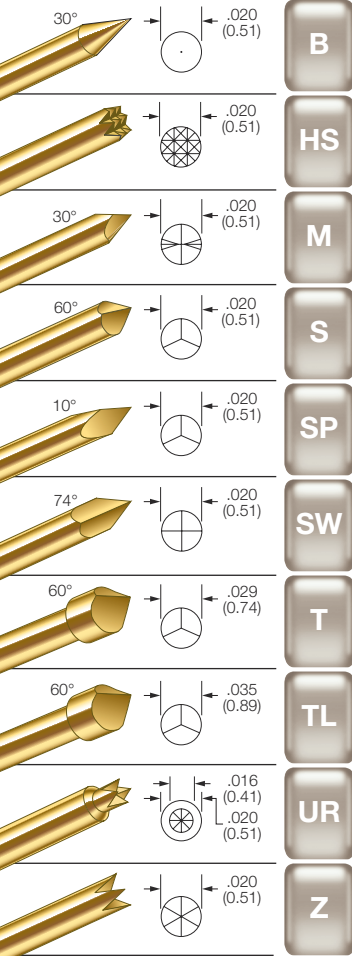
Specifications subject to change without notice. Dimensions in inches (millimeters)

ICT-50J and S-50J Size 50J - .050 Centers

BeCu PLUNGER TIPS



STEEL PLUNGER TIPS



PROBE SPECIFICATIONS

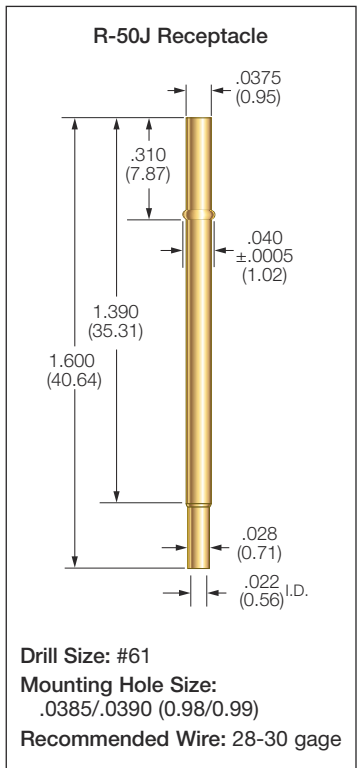
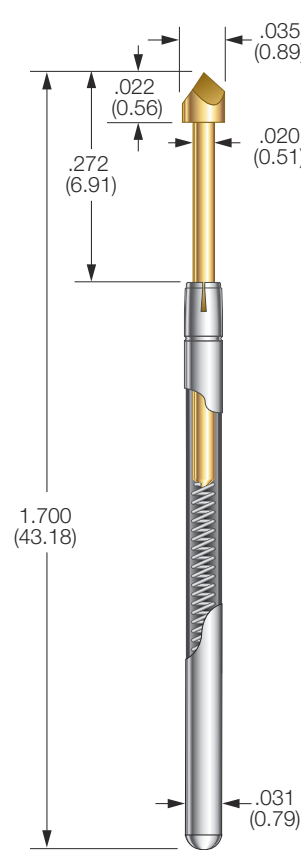
Minimum Centers: .050 (1.27)
Current Rating: 3 amps continuous
Spring Force: 4.0, 5.6, 7.0 or 10.0 oz. @ .170 (4.32) travel
Typical Resistance:
 < 20 mΩ for ICT-50J
 < 25 mΩ for S-50J
Maximum Travel: .250 (6.35)
Working Travel: .170 (4.32)

Rated Force oz. (g)	Preload oz. (g)	Material
4.0 (113)	1.8 (51)	SS
5.6 (159)	2.5 (71)	SS
7.0 (198)	3.1 (88)	MW
10.0 (283)	4.6 (130)	MW

MATERIALS

Barrel: Nickel/silver, gold lined
Spring: Music wire, nickel plated or stainless steel
Plunger: Beryllium copper or steel, gold plated over nickel
Receptacle: Beryllium copper, preplated gold, gold plated post
Terminal: Beryllium copper, preplated gold

ICT-50J/S-50J PROBE



RECEPTACLE OPTIONS				
Part Number	Style	Receptacle Length	Probe/Receptacle Combined Length	Comments
R-50J-CR	Crimp	1.600 (40.64)	1.910 (48.51)	—
R-50J-SC	Solder Cup	1.600 (40.64)	1.910 (48.51)	—
R-50J-WW-016	Wire Wrap	1.850 (46.99)	2.160 (54.86)	.250 post length - .016 sq.
R-50J-WW-025	Wire Wrap	1.900 (48.26)	2.210 (56.13)	.300 post length - .025 sq.
R-50J-DS	Duraseal®	1.600 (40.64)	1.910 (48.51)	30 gage wire, vacuum sealed*
R-50J-WT	Plug-In Receptacle	1.600 (40.64)	1.910 (48.51)	For use with FP-Plug plug-in terminal
FP-Plug	Plug-In Terminal	—	—	Plugs into R-50J-WT receptacle *

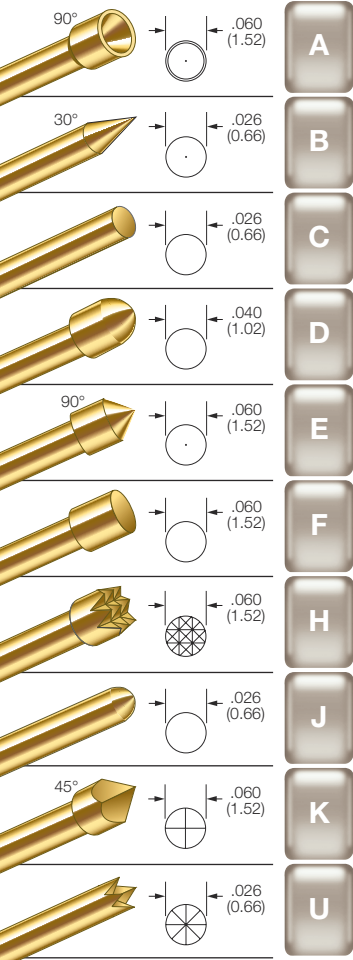
* Unless otherwise specified, wire length 36", strip length 1", 30 gage Kynar

HOW TO ORDER: SPRING CONTACT PROBE						RECEPTACLE		
ICT	50J	T	5.6	DG	S	R	50J	CR
SERIES	SIZE	TIP STYLE	SPRING FORCE	PLATING OPTIONS	STEEL PLUNGER OPTION	SERIES	SIZE	TERMINATION
SERIES: ICT: HIGH PERFORMANCE S: STANDARD PERFORMANCE, (NO BIFURCATED BEAM)			SPRING FORCE: 4.0 oz. @ .170 (4.32) TRAVEL 5.6 oz. @ .170 (4.32) TRAVEL 7.0 oz. @ .170 (4.32) TRAVEL 10.0 oz. @ .170 (4.32) TRAVEL			TERMINATIONS: CR: CRIMP SC: SOLDER CUP WW-016: WIRE WRAP .016 SQ WW-025: WIRE WRAP .025 SQ		
CRIMPING PLIERS: CPR50J INSERTION TOOL: RTR50J						* UNLESS OTHERWISE SPECIFIED, WIRE LENGTH 36", STRIP LENGTH 1", 30 GAGE KYNAR. 12" & 36" STANDARD. ** FOR USE WITH FP-PLUG PLUG-IN TERMINAL. 12" & 36" STANDARD.		
VIEW UPDATES OF THIS INFORMATION AT WWW.IDINET.COM								

Specifications subject to change without notice. Dimensions in inches (millimeters)

Series S Size 1 - .075 Centers

BeCu PLUNGER TIPS



PROBE SPECIFICATIONS

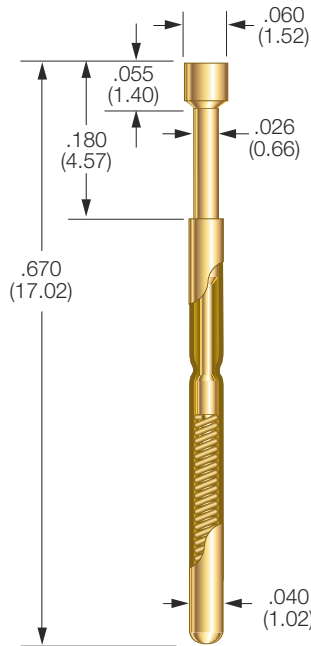
Minimum Centers: .075 (1.91)
 Current Rating: 3 amps continuous
 Spring Force: 2.0, 3.8 or 6.6 oz. @ .070 (1.78) travel
 Typical Resistance: < 25 mΩ
 Maximum Travel: .100 (2.54)
 Working Travel: .070 (1.78)

Rated Force oz. (g)	Preload oz. (g)	Material
2.0 (57)	0.8 (23)	SS
3.8 (108)	1.5 (43)	SS
6.6 (187)	2.0 (57)	MW

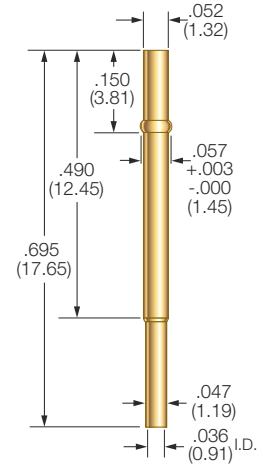
MATERIALS

Barrel: Nickel/silver, gold plated
 Spring: Stainless steel or music wire, gold plated
 Plunger: Beryllium copper, gold plated over nickel or Duralloy™
 Receptacle: Nickel/silver, gold plated, gold plated post

S-1 PROBE



R-1 Receptacle



Drill Size: 1.45mm
 Mounting Hole Size: .055/.057 (1.40/1.45)
 Recommended Wire: 24-28 gage

RECEPTACLE OPTIONS

Part Number	Style	Receptacle Length	Probe/Receptacle Combined Length	Comments
R-1-CR	Crimp	0.695 (17.65)	0.875 (22.23)	—
R-1-SC	Solder Cup	0.695 (17.65)	0.875 (22.23)	—
R-1-RP	Round Post	1.070 (27.18)	1.250 (31.75)	.375 post length - .025 dia.
R-1-WW-429	Wire Wrap	1.124 (28.55)	1.304 (33.12)	.429 post length - .025 sq.

HOW TO ORDER: SPRING CONTACT PROBE

S SERIES
1 SIZE
A TIP STYLE
3.8 SPRING FORCE
G PLATING OPTIONS

SERIES:
 S: STANDARD
 SX: IMPROVED POINTING ACCURACY

SPRING FORCE:
 2.0 oz. @ .070 (1.78) TRAVEL
 3.8 oz. @ .070 (1.78) TRAVEL
 6.6 oz. @ .070 (1.78) TRAVEL

PLATING OPTIONS:
 G: GOLD PLATED PLUNGER
 D: DURALLOY™ PLATED PLUNGER

CRIMPING PLIERS: CP1
 INSERTION TOOL: RT1

RECEPTACLE

R SERIES
1 SIZE
WW TERMINATION
429 POST LENGTH

TERMINATIONS:
 CR: CRIMP
 SC: SOLDER CUP
 RP: ROUND POST
 WW: WIRE WRAP

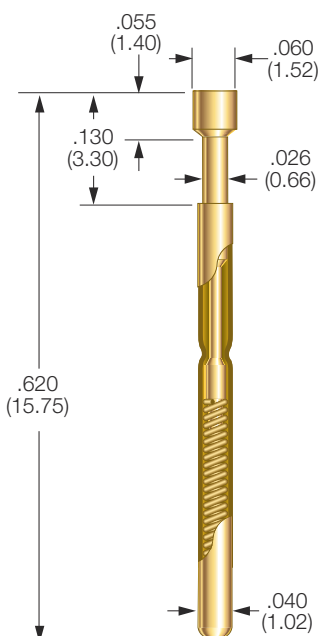
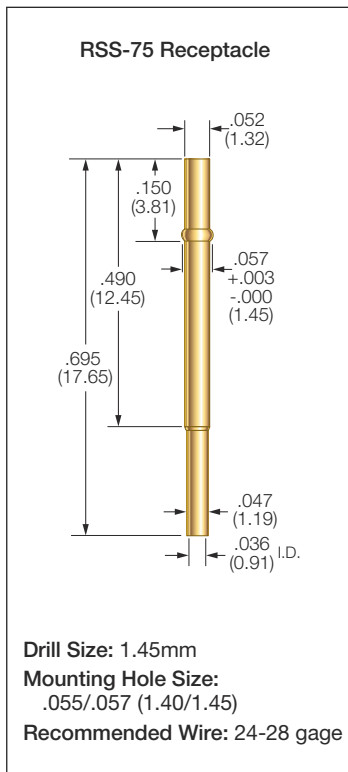
POST LENGTH:
 WW: 429

VIEW UPDATES OF THIS INFORMATION AT WWW.IDINET.COM

Specifications subject to change without notice. Dimensions in inches (millimeters)

.075 Centers - Size 75 Series SS

SS-75 PROBE



PROBE SPECIFICATIONS

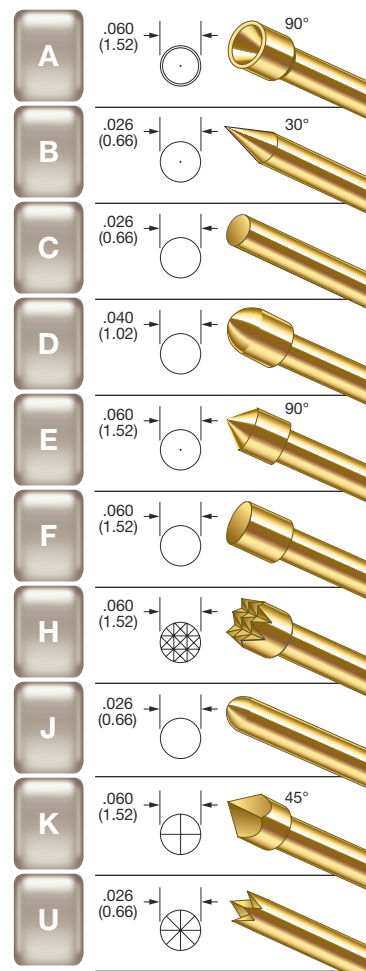
Minimum Centers: .075 (1.91)
 Current Rating: 3 amps continuous
 Spring Force: 2.4 or 4.9 oz. @ .050 (1.27) travel
 Typical Resistance: < 25 mΩ
 Maximum Travel: .050 (1.27)
 Working Travel: .050 (1.27)

Rated Force oz. (g)	Preload oz. (g)	Material
2.4 (68)	1.7 (48)	SS
4.9 (139)	3.1 (88)	SS

MATERIALS

Barrel: Nickel/silver, gold plated
 Spring: Stainless steel, gold plated
 Plunger: Beryllium copper, gold plated over nickel or Duralloy™
 Receptacle: Nickel/silver, gold plated, gold plated post

BeCu PLUNGER TIPS



RECEPTACLE OPTIONS

Part Number	Style	Receptacle Length	Probe/Receptacle Combined Length	Comments
RSS-75-CR	Crimp	0.695 (17.65)	0.825 (20.96)	—
RSS-75-SC	Solder Cup	0.695 (17.65)	0.825 (20.96)	—
RSS-75-RP	Round Post	1.070 (27.18)	1.200 (30.48)	.375 post length - .025 dia.
RSS-75-WW-429	Wire Wrap	1.124 (28.55)	1.254 (31.85)	.429 post length - .025 sq.

HOW TO ORDER: SPRING CONTACT PROBE

RECEPTACLE

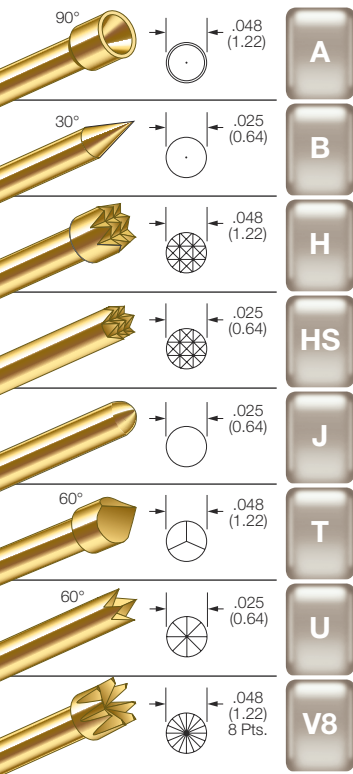
SS SERIES	75 SIZE	A TIP STYLE	2.4 SPRING FORCE	G PLATING OPTIONS	RSS SERIES	75 SIZE	WW TERMINATION	429 POST LENGTH
SERIES: SS: STANDARD SSX: IMPROVED POINTING ACCURACY		PLATING OPTIONS: G: GOLD PLATED PLUNGER D: DURALLOY™ PLATED PLUNGER			TERMINATIONS: CR: CRIMP SC: SOLDER CUP WW: WIRE WRAP RP: ROUND POST		POST LENGTH: WW: 429	
SPRING FORCE: 2.4 oz. @ .050 (1.27) TRAVEL 4.9 oz. @ .050 (1.27) TRAVEL		CRIMPING PLIERS: CPSS75 INSERTION TOOL: RTSS75						

VIEW UPDATES OF THIS INFORMATION AT WWW.IDINET.COM

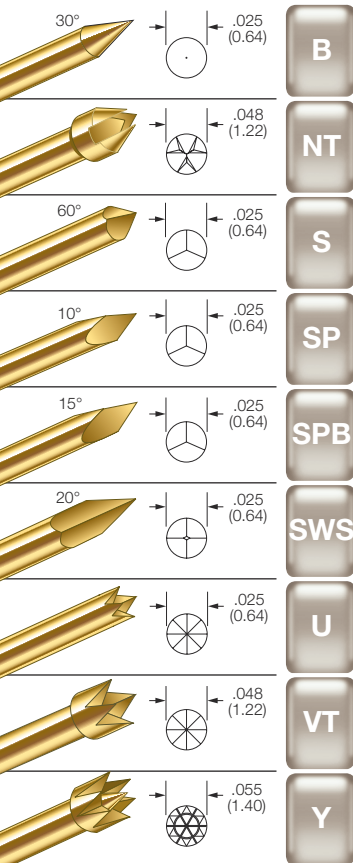
Specifications subject to change without notice. Dimensions in inches (millimeters)

ICT-075 and S-075 Size 075 - .075 Centers

BeCu PLUNGER TIPS



STEEL PLUNGER TIPS



PROBE SPECIFICATIONS

Minimum Centers: .075 (1.91)
Current Rating: 3 amps continuous
Spring Force: 3.0, 5.0, 7.0 or 10.0 oz. @ .170 (4.32) travel
Typical Resistance: < 25 mΩ
Maximum Travel: .250 (6.35)
Working Travel: .170 (4.32)

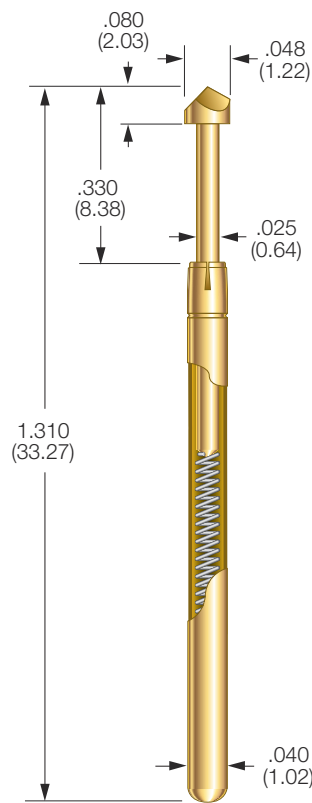
Rated Force oz. (g)	Preload oz. (g)
3.0* (85)	1.2 (34)
5.0 (142)	2.0 (57)
7.0 (198)	2.9 (82)
10.0 (283)	3.3 (94)

*3.0 oz., S-075 only

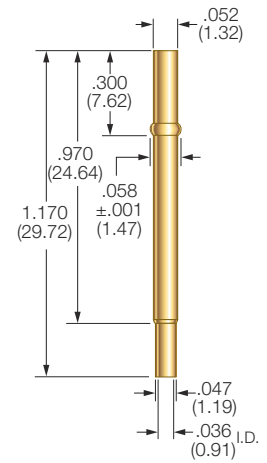
MATERIALS

Barrel: G2
Spring: Music wire, nickel plated
Plunger: Beryllium copper or steel, gold plated over nickel
Receptacle: Nickel/silver, gold plated; gold plated post

ICT-075 PROBE



R-075 Receptacle



Drill Size: 1.45mm
Mounting Hole Size: .055/.057 (1.40/1.45)
Recommended Wire: 24-28 gage

RECEPTACLE OPTIONS

Part Number	Style	Receptacle Length	Probe/Receptacle Combined Length	Comments
R-075-CR	Crimp	1.170 (29.72)	1.500 (38.10)	—
R-075-SC	Solder Cup	1.170 (29.72)	1.500 (38.10)	—
R-075-RP	Round Post	1.545 (39.24)	1.875 (47.63)	.375 post length - .025 dia.
R-075-WW-429	Wire Wrap	1.599 (40.61)	1.929 (49.00)	.429 post length - .025 sq.
R-075-WW-694	Wire Wrap	1.864 (47.35)	2.194 (55.73)	.694 post length - .025 sq.
R-075-WW-1.044	Wire Wrap	2.214 (56.24)	2.544 (64.62)	1.044 post length - .025 sq.

HOW TO ORDER: SPRING CONTACT PROBE

ICT	075	T	5.0	G	S
SERIES	SIZE	TIP STYLE	SPRING FORCE	PLATING OPTIONS	STEEL PLUNGER OPTION

SERIES:
ICT: HIGH PERFORMANCE
S: STANDARD PERFORMANCE, (NO BIFURCATED BEAM)
CRIMPING PLIERS: CPR075
INSERTION TOOL: RTR075

SPRING FORCE:
 3.0 oz. @ .170 (4.32) TRAVEL*
 5.0 oz. @ .170 (4.32) TRAVEL
 7.0 oz. @ .170 (4.32) TRAVEL
 10.0 oz. @ .170 (4.32) TRAVEL

*S-075 SERIES ONLY

RECEPTACLE

R	075	WW	429
SERIES	SIZE	TERMINATION	POST LENGTH

TERMINATIONS:
CR: CRIMP
SC: SOLDER CUP
RP: ROUND POST
WW: WIRE WRAP

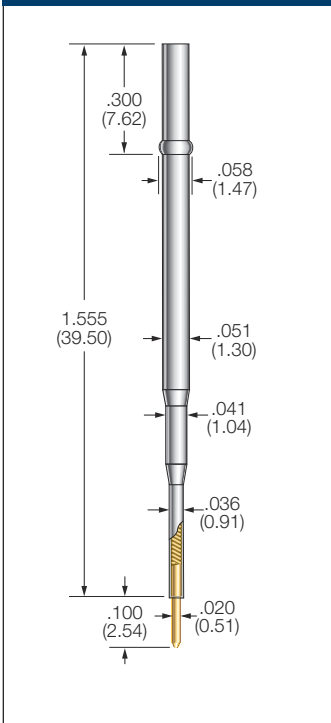
POST LENGTH:
WW: 429, 694 OR 1.044

VIEW UPDATES OF THIS INFORMATION AT WWW.IDINET.COM

Specifications subject to change without notice. Dimensions in inches (millimeters)

WIRELESS RECEPTACLE

R-075-J-DE



PROBE SPECIFICATIONS

Minimum Centers: .075 (1.91)
Drill Size: 1.45mm
Mounting Hole Size:
 .055/.057 (1.40/1.45)
Spring Force: 2.7 oz. (77g) @
 .070 (1.77) travel
Maximum Travel: .100 (2.54)
Working Travel: .070 (1.77)

MATERIALS

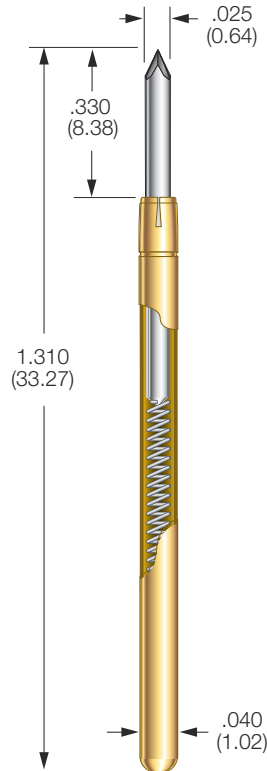
Receptacle: Nickel/silver,
 gold lined inside
Spring: Music wire, gold plated
Plunger: Beryllium copper,
 gold plated over nickel

HOW TO ORDER

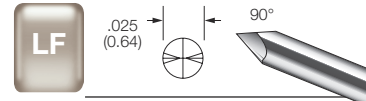
R	075	J	DE
SERIES	SIZE	TIP STYLE	PLATING OPTION

LEAD FREE TEST PROBE

ICT-075-LF PROBE



STEEL PLUNGER TIP



PROBE SPECIFICATIONS

Minimum Centers: .075 (1.91)
Current Rating: 3 amps continuous
Spring Force: 7.0 oz. @ .170
 (4.32) travel
Typical Resistance: < 40 mΩ
 against a lead free surface
Maximum Travel: .250 (6.35)
Working Travel: .170 (4.32)

MATERIALS

Barrel: G2
Spring: Music wire, nickel plated
Plunger: Steel, Duralloy™ plated

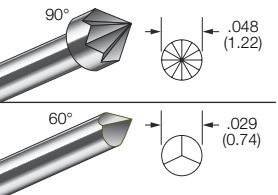
HOW TO ORDER

ICT	075	LF	7	D	S
SERIES	SIZE	TIP STYLE	SPRING FORCE	PLATING OPTIONS	STEEL PLUNGER

Specifications subject to change without notice. Dimensions in inches (millimeters).

S-075 ROTATOR .075 CENTERS

BeCu PLUNGER TIPS



PROBE SPECIFICATIONS

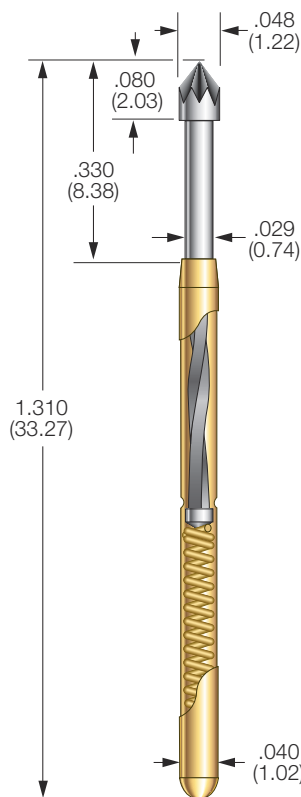
Minimum Centers: .075 (1.91)
 Current Rating: 3 amps continuous
 Spring Force: 3.8 or 6.6 oz. @ .170 (4.32) travel
 Typical Resistance: < 25 mΩ
 Maximum Travel: .225 (5.72)
 Working Travel: .170 (4.32)
 Rotates: 90° @ .170 (4.32) travel

Rated Force oz (g)	Preload oz (g)
3.8 (108)	0.5 (14)
6.6 (187)	1.6 (45)

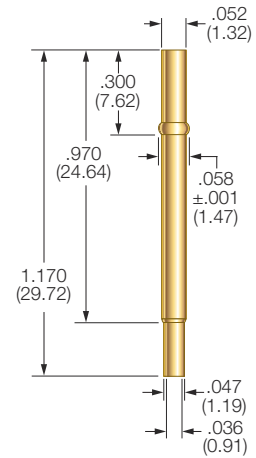
MATERIALS

Barrel: G2
 Spring: Music wire, gold plated
 Plunger: Beryllium copper, Duralloy™ plated
 Receptacle: Nickel/silver, gold plated; gold plated post

S-075-ROTATOR



R-075 Receptacle



Drill Size: 1.45mm
 Mounting Hole Size: .055/.057 (1.40/1.45)
 Recommended Wire: 24-28 gage

RECEPTACLE OPTIONS

Part Number	Style	Receptacle Length	Probe/Receptacle Combined Length	Comments
R-075-CR	Crimp	1.170 (29.72)	1.500 (38.10)	—
R-075-SC	Solder Cup	1.170 (29.72)	1.500 (38.10)	—
R-075-RP	Round Post	1.545 (39.24)	1.875 (47.63)	.375 post length - .025 dia.
R-075-WW-429	Wire Wrap	1.599 (40.61)	1.929 (49.00)	.429 post length - .025 sq.
R-075-WW-694	Wire Wrap	1.864 (47.35)	2.194 (55.73)	.694 post length - .025 sq.
R-075-WW-1.044	Wire Wrap	2.214 (56.24)	2.544 (64.62)	1.044 post length - .025 sq.

HOW TO ORDER: SPRING CONTACT PROBE

S **075** **LM** **3.8** **RT**

SERIES SIZE TIP STYLE SPRING FORCE ROTATOR

SPRING FORCE:
 3.8 oz. @ .170 (4.32) TRAVEL
 6.6 oz @ .170 (4.32) TRAVEL

CRIMPING PLIERS: CPR075
 INSERTION TOOL: RTR075

RECEPTACLE

R **075** **WW** **429**

SERIES SIZE TERMINATION POST LENGTH

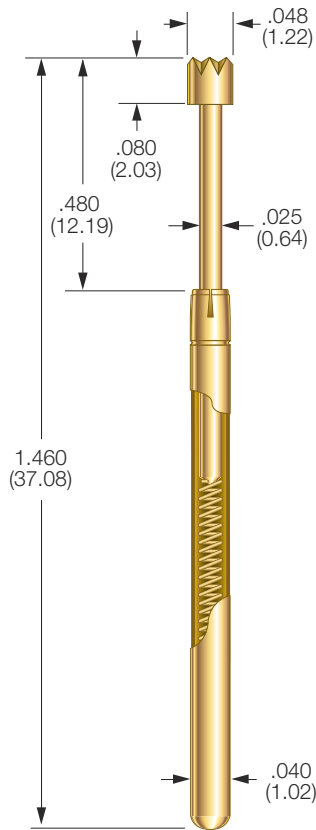
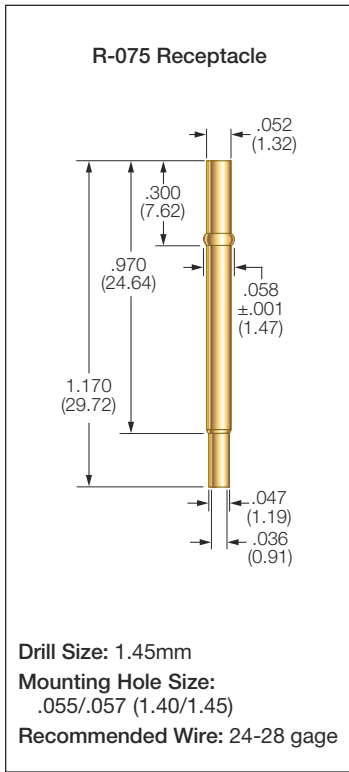
TERMINATIONS:
 CR: CRIMP
 SC: SOLDER CUP
 RP: ROUND POST
 WW: WIRE WRAP

POST LENGTH:
 WW: 429, 694 OR 1.044

VIEW UPDATES OF THIS INFORMATION AT WWW.IDINET.COM

Specifications subject to change without notice. Dimensions in inches (millimeters)

ICT-L075 PROBE



PROBE SPECIFICATIONS

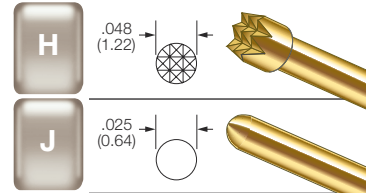
Minimum Centers: .075 (1.91)
 Current Rating: 3 amps continuous
 Spring Force: 4.3 oz. @ .317 (8.05) travel
 Typical Resistance: < 15 mΩ
 Maximum Travel: .400 (10.16)
 Working Travel: .317 (8.05)

Rated Force oz (g)	Preload oz (g)
4.3 (122)	1.8 (51)

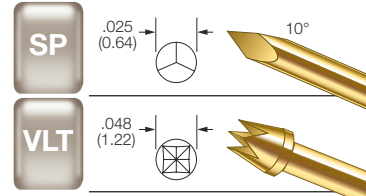
MATERIALS

Barrel: G2
 Spring: Music wire, gold plated
 Plunger: Beryllium copper or steel, gold plated over nickel
 Receptacle: Nickel/silver, gold plated; gold plated post

BeCu PLUNGER TIPS



STEEL PLUNGER TIPS



RECEPTACLE OPTIONS

Part Number	Style	Receptacle Length	Probe/Receptacle Combined Length	Comments
R-075-CR	Crimp	1.170 (29.72)	1.650 (41.91)	—
R-075-SC	Solder Cup	1.170 (29.72)	1.650 (41.91)	—
R-075-RP	Round Post	1.545 (39.24)	2.025 (51.44)	.375 post length - .025 dia.
R-075-WW-429	Wire Wrap	1.599 (40.61)	2.079 (52.81)	.429 post length - .025 sq.
R-075-WW-694	Wire Wrap	1.864 (47.35)	2.344 (59.54)	.694 post length - .025 sq.
R-075-WW-1.044	Wire Wrap	2.214 (56.24)	2.694 (68.43)	1.044 post length - .025 sq.

HOW TO ORDER: SPRING CONTACT PROBE

RECEPTACLE

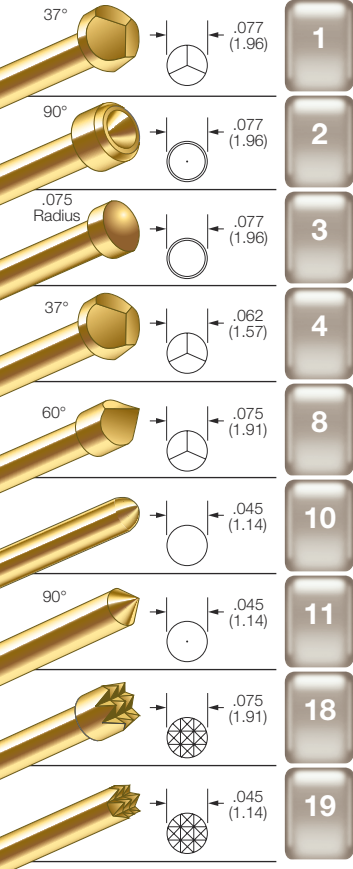
ICT	L075	H	4.3	G	S	R	075	WW	429
SERIES	SIZE	TIP STYLE	SPRING FORCE	PLATING OPTIONS	STEEL PLUNGER OPTION	SERIES	SIZE	TERMINATION	POST LENGTH
SPRING FORCE: 4.3 oz. @ .317 (8.05) TRAVEL CRIMPING PLIERS: CPR075 INSERTION TOOL: RTR075						TERMINATIONS: CR: CRIMP SC: SOLDER CUP WW: WIRE WRAP RP: ROUND POST POST LENGTH: WW: 429, 694 OR 1.044			

VIEW UPDATES OF THIS INFORMATION AT WWW.IDINET.COM

Specifications subject to change without notice. Dimensions in inches (millimeters)

SERIES SS & GSS .100 CENTERS

BeCu PLUNGER TIPS



PROBE SPECIFICATIONS

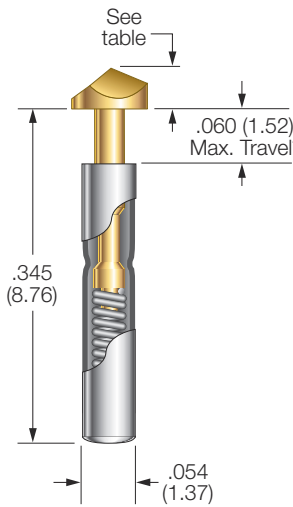
Minimum Centers: .100 (2.54)
Current Rating: 3 amps continuous
Spring Force: 3.8 or 7.0 oz. @ .050 (1.27) travel
Typical Resistance:
 SS: < 65 mΩ
 GSS: < 30 mΩ
Maximum Travel: .060 (1.52)
 *for SS-8 .050 (1.27)
Working Travel: .050 (1.27)

Rated Force oz (g)	Preload oz (g)	Material
3.8 (108)	1.6 (45)	SS
7.0 (198)	1.3 (37)	MW

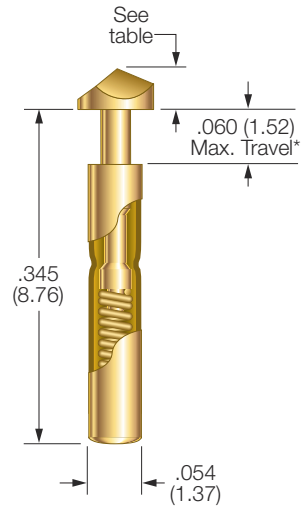
MATERIALS

Barrel:
 SS: Nickel/silver
 GSS: Nickel/silver, gold plated
Spring: SS: Stainless steel or music wire
 GSS: Stainless steel or music wire, gold plated
Plunger: Beryllium copper, gold plated over nickel
Receptacle: Nickel/silver

SS-100 PROBE



GSS-100 PROBE



HEAD LENGTH BY TIP STYLE - SS & GSS PROBE

TIP	HEAD LENGTH	TIP	HEAD LENGTH
1	.040 (1.02)	10	.028 (0.71)
2	.028 (0.71)	11	.040 (1.02)
3	.028 (0.71)	18	.060 (1.52)
4	.040 (1.02)	19	.055 (1.40)
8	.080 (2.03)		

RECEPTACLE OPTIONS

Part Number	Style	Receptacle Length	Probe/Receptacle Combined Length	Comments
RSS-100-CR	Crimp	0.475 (12.07)	0.550 (13.97)*	—
RSS-100-NT	No Tail	0.402 (10.21)	0.462 (11.73)*	—
RSS-100-RP	Round Post	0.625 (15.88)	0.685 (17.40)*	.220 post length - .028 dia.
RSS-100-WW	Wire Wrap	0.822 (20.88)	0.882 (22.40)*	.420 post length - .025 sq.

* Plus head length per tip style from chart

HOW TO ORDER: SPRING CONTACT PROBE

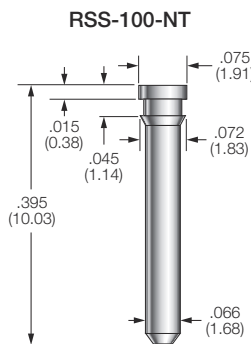
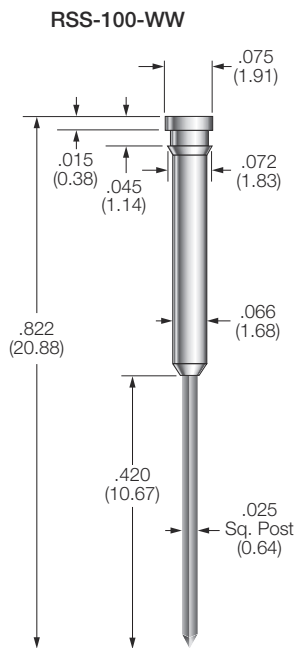
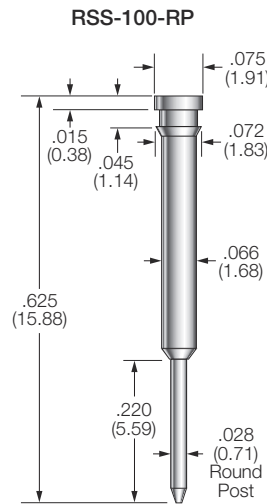
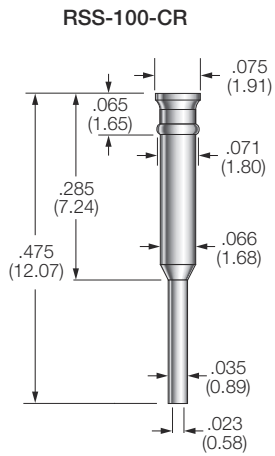
RECEPTACLE

SS SERIES	1 TIP STYLE	3.8 SPRING FORCE	G PLATING OPTIONS	RSS SERIES	100 SIZE	WW TERMINATION
SERIES: SS: NICKEL/SILVER BARREL GSS: GOLD PLATED BARREL			SPRING FORCE: 3.8 oz. @ .050 (1.27) TRAVEL 7.0 oz. @ .050 (1.27) TRAVEL			TERMINATIONS: CR: CRIMP RP: ROUND POST NT: NO TAIL WW: WIRE WRAP
CRIMPING PLIERS: CPSS100			INSERTION TOOL: RTSS100			

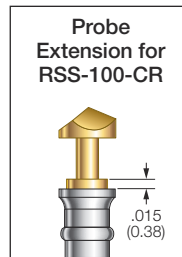
VIEW UPDATES OF THIS INFORMATION AT WWW.IDINET.COM

Specifications subject to change without notice. Dimensions in inches (millimeters)

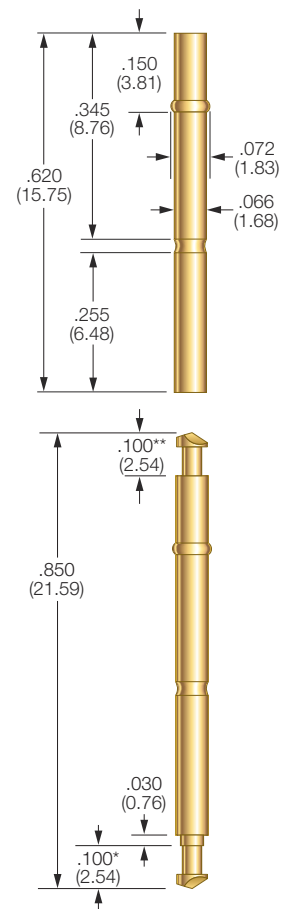
RSS-100 RECEPTACLES



Drill Size: #50
Mounting Hole Size: .068/.070 (1.73/1.78)
Recommended Wire: 28-30 gage



R-SS/SS RECEPTACLE



* For plunger with .040 (1.02) tip length
 ** Headed plunger only this end

RECEPTACLE OPTIONS

Minimum Centers: .100 (2.54)
Drill Size: #50
Mounting Hole Size: .068/.070 (1.73/1.78)

MATERIALS

Standard Series:
 Nickel/silver
High Performance Series:
 Nickel/silver, gold plated

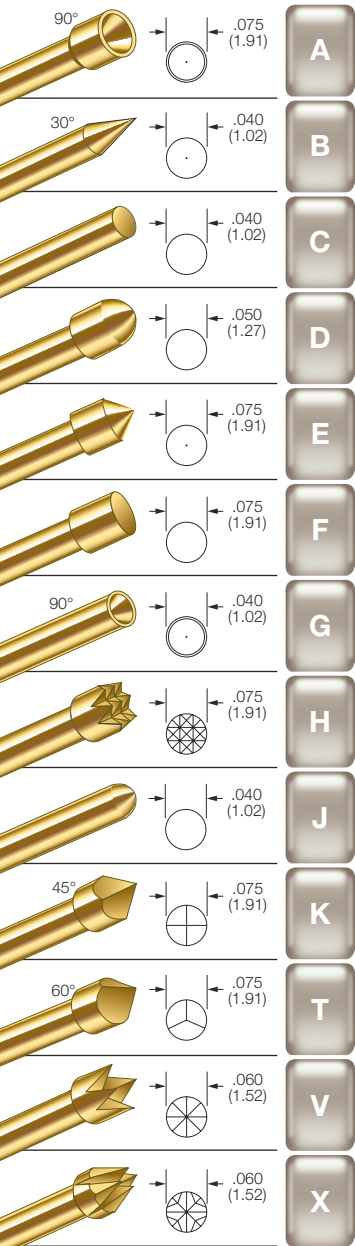
This receptacle houses an SS100 or GSS100 on each end.

HOW TO ORDER

STANDARD SERIES:
 RS-SS/SS
HIGH PERFORMANCE:
 R-SS/SS

Series S SIZE 2 .100 CENTERS

BeCu PLUNGER TIPS



PROBE SPECIFICATIONS

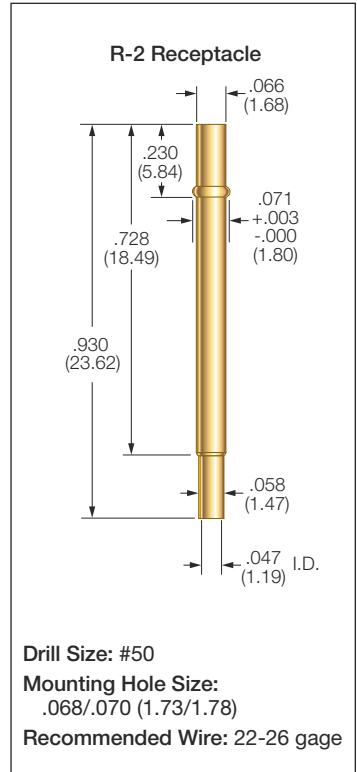
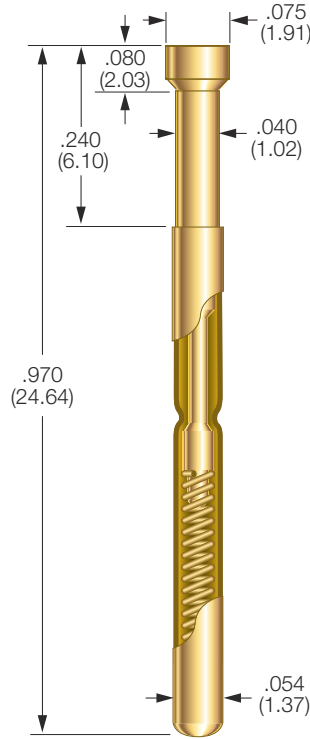
Minimum Centers: .100 (2.54)
Current Rating: 3 amps continuous
Spring Force: 4.0, 7.0, 8.3 or 10.0 oz. @ .100 (2.54) travel
Typical Resistance: < 35 mΩ
Maximum Travel: .160 (4.06)
Working Travel: .100 (2.54)

Rated Force oz (g)	Preload oz (g)	Material
4.0 (113)	1.6 (45)	BeCu
7.0 (198)	2.9 (82)	SS
8.3 (235)	3.3 (93)	MW
10.0 (283)	3.9 (110)	MW

MATERIALS

Barrel: Nickel/silver, gold plated
Spring: Beryllium copper, precious metal plated, music wire or stainless steel, gold plated
Plunger: Beryllium copper, gold plated over nickel or Duralloy™
Receptacle: Nickel/silver, gold plated; gold plated post

S-2 PROBE



Drill Size: #50
Mounting Hole Size: .068/.070 (1.73/1.78)
Recommended Wire: 22-26 gage

RECEPTACLE OPTIONS

Part Number	Style	Receptacle Length	Probe/Receptacle Combined Length	Comments
R-2-CR	Crimp	0.930 (23.62)	1.170 (29.72)	—
R-2-SC	Solder Cup	0.930 (23.62)	1.170 (29.72)	—
R-2-RP	Round Post	1.305 (31.15)	1.545 (39.24)	.375 post length - .025 dia.
R-2-WW-429	Wire Wrap	1.359 (34.52)	1.599 (40.61)	.429 post length - .025 sq.

HOW TO ORDER: SPRING CONTACT PROBE

S	2	A	4	G
SERIES	SIZE	TIP STYLE	SPRING FORCE	PLATING OPTIONS

SPRING FORCE:
 4.0 oz. @ .100 (2.54) TRAVEL
 7.0 oz. @ .100 (2.54) TRAVEL
 8.3 oz. @ .100 (2.54) TRAVEL
 10.0 oz. @ .100 (2.54) TRAVEL

SERIES:
S: STANDARD
SX: IMPROVED POINTING ACCURACY

PLATING OPTIONS:
G: GOLD PLATED PLUNGER
D: DURALLOY™ PLATED PLUNGER

CRIMPING PLIERS: CP2
INSERTION TOOL: RT2

RECEPTACLE

R	2	WW	429
SERIES	SIZE	TERMINATION	POST LENGTH

TERMINATIONS:
CR: CRIMP
SC: SOLDER CUP
RP: ROUND POST
WW: WIRE WRAP

POST LENGTH:
WW: 429

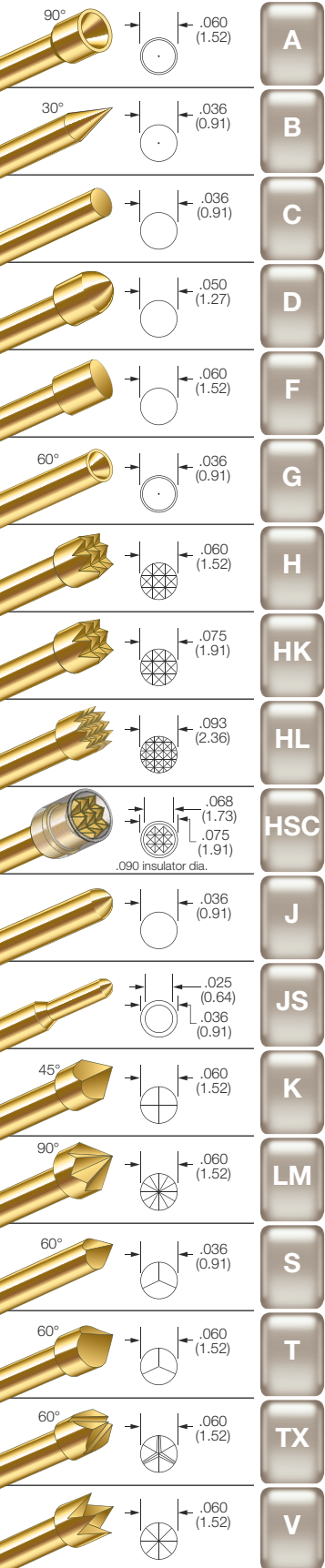
VIEW UPDATES OF THIS INFORMATION AT WWW.IDINET.COM

Specifications subject to change without notice. Dimensions in inches (millimeters)

ICT-100 and S-100

SIZE 100 .100 CENTERS

BeCu PLUNGER TIPS



PROBE SPECIFICATIONS

Minimum Centers: .100 (2.54)
Current Rating: 3 amps continuous
Spring Force: 3.5, 5.5, 6.7, 8.0, 10.0 or 17.0 oz. @.170 (4.32) travel
Typical Resistance: < 8 mΩ
Maximum Travel: .250 (6.35)
Working Travel: .170 (4.32)

Rated Force oz (g)	Preload oz (g)	Material
3.5 (99)	1.5 (43)	BeCu*
5.5 (156)	2.4 (68)	MW**
6.7 (190)	2.8 (80)	SS
8.0 (227)	3.3 (94)	MW**
10.0 (283)	3.7 (105)	MW
17.0 (483)	6.8 (193)	MW

* 3.5 oz spring S-100 only ** BeCu for S Series

MATERIALS

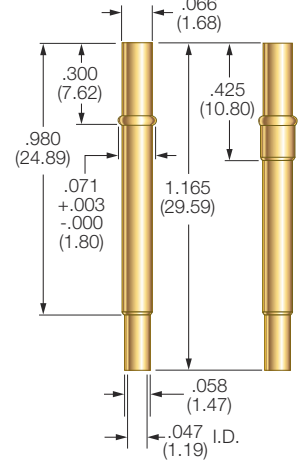
Barrel: G2
Spring: Beryllium copper, music wire, nickel plated or stainless steel
Plunger: Beryllium copper or steel, gold plated over nickel
Receptacle: Nickel/silver, gold plated; gold plated post

ICT-100 PROBE



R-100 Receptacle

R Series RX Series

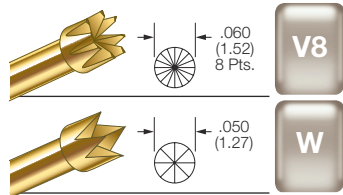


Drill Size: #50
Mounting Hole Size: .068/.070 (1.73/1.78)
Recommended Wire: 22-26 gage

RECEPTACLE OPTIONS

Part Number	Style	Receptacle Length	Probe/Receptacle Combined Length	Comments
R-100-CR	Crimp	1.165 (29.59)	1.495 (37.97)	—
R-100-SC	Solder Cup	1.165 (29.59)	1.495 (37.97)	—
R-100-RP	Round Post	1.540 (39.12)	1.870 (47.50)	.375 post length - .025 dia.
R-100-WW-429	Wire Wrap	1.594 (40.49)	1.924 (48.87)	.429 post length - .025 sq.
R-100-WW-694	Wire Wrap	1.859 (47.22)	2.189 (55.60)	.694 post length - .025 sq.
R-100-WW-1.044	Wire Wrap	2.209 (56.11)	2.539 (64.49)	1.044 post length - .025 sq.

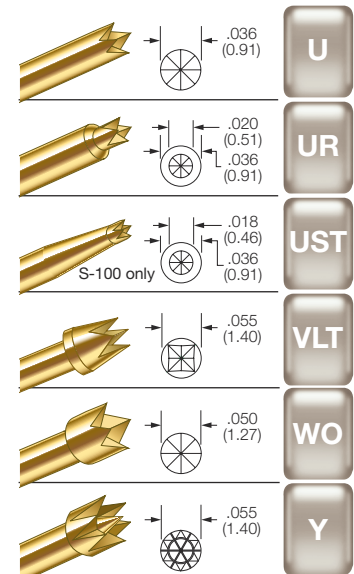
BeCu PLUNGER TIPS



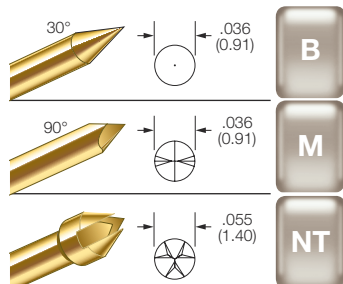
STEEL PLUNGER TIPS



STEEL PLUNGER TIPS

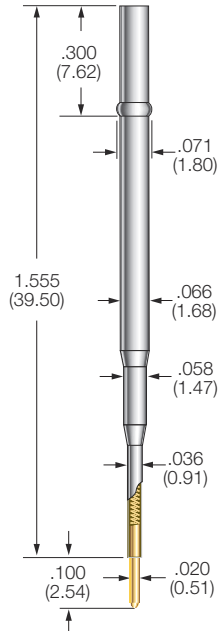


STEEL PLUNGER TIPS



WIRELESS RECEPTACLE

R-100-J-DE



PROBE SPECIFICATIONS

Minimum Centers: .100 (2.54)
Drill Size: #50
Mounting Hole Size: .068/.070 (1.73/1.78)
Spring Force: 2.7 oz. (77g) @ .070 (1.77) travel
Maximum Travel: .100 (2.54)
Working Travel: .070 (1.77)

MATERIALS

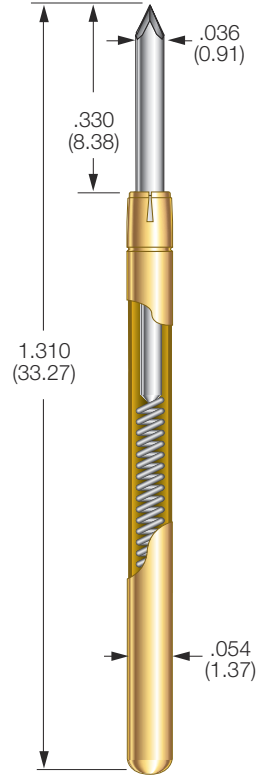
Receptacle: Nickel/silver, gold lined inside
Spring: Music wire, gold plated
Plunger: Beryllium copper, gold plated over nickel

HOW TO ORDER

R	100	J	DE
SERIES	SIZE	TIP STYLE	TERMINATION

LEAD FREE TEST PROBE

ICT-100-LF PROBE



PROBE SPECIFICATIONS

Minimum Centers: .100 (2.54)
Current Rating: 3 amps continuous
Spring Force: 8.0 oz. @ .170 (4.32) travel
Typical Resistance: < 30 mΩ against a lead free surface
Maximum Travel: .250 (6.35)
Working Travel: .170 (4.32)

MATERIALS

Barrel: G2
Spring: Music wire, nickel plated
Plunger: Steel, Duralloy™ plated

HOW TO ORDER

ICT	100	LF	8	D	S
SERIES	SIZE	TIP STYLE	SPRING FORCE	PLATING OPTIONS	STEEL PLUNGER OPTION

HOW TO ORDER: SPRING CONTACT PROBE

ICT	100	T	5.5	G	S
SERIES	SIZE	TIP STYLE	SPRING FORCE	PLATING OPTIONS	STEEL PLUNGER OPTION

SERIES:
ICT: HIGH PERFORMANCE
S: STANDARD PERFORMANCE (NO BIFURCATED BEAM)

CRIMPING PLIERS: CPR100
INSERTION TOOL: RTR100

SPRING FORCE:
 3.5 oz. @ .170 (4.32) TRAVEL*
 5.5 oz. @ .170 (4.32) TRAVEL
 6.7 oz. @ .170 (4.32) TRAVEL
 8.0 oz. @ .170 (4.32) TRAVEL
 10.0 oz. @ .170 (4.32) TRAVEL
 17.0 oz. @ .170 (4.32) TRAVEL
 *S-100 SERIES ONLY

RECEPTACLE

R	100	WW	429
SERIES	SIZE	TERMINATION	POST LENGTH

SERIES:
R: HIGH PERFORMANCE
RX: IMPROVED POINTING ACCURACY

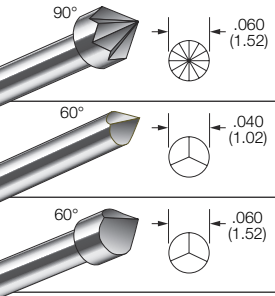
TERMINATION:
CR: CRIMP
SC: SOLDER CUP
RP: ROUND POST
WW: WIRE WRAP
POST LENGTH:
WW: 429, 694 OR 1.044

VIEW UPDATES OF THIS INFORMATION AT WWW.IDINET.COM

Specifications subject to change without notice. Dimensions in inches (millimeters)

S-100 Rotator .100 CENTERS

BeCu PLUNGER TIPS



LM

S

T

PROBE SPECIFICATIONS

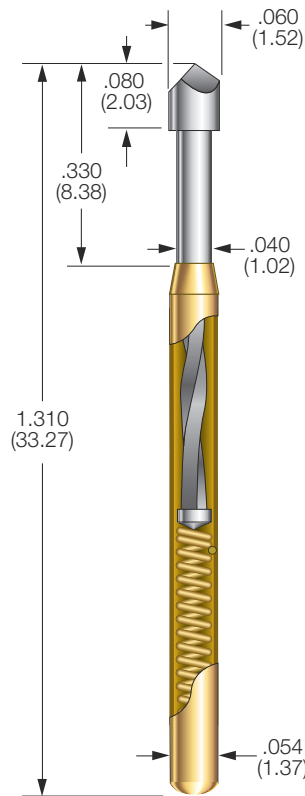
Minimum Centers: .100 (2.54)
Current Rating: 3 amps continuous
Spring Force: 4.0, 5.5, 6.7, 8.0 or 10.0 oz. @ .170 (4.32) travel
Typical Resistance: < 50 mΩ
Maximum Travel: .220 (5.59)
Working Travel: .170 (4.32)
Rotates: 90° @ .170 (4.32) travel

Rated Force oz (g)	Preload oz (g)	Material
4.0 (113)	1.5 (43)	SS
5.5 (156)	2.0 (57)	SS
6.7 (190)	1.5 (43)	SS
8.0 (227)	2.8 (80)	MW
10.0 (283)	1.8 (51)	MW

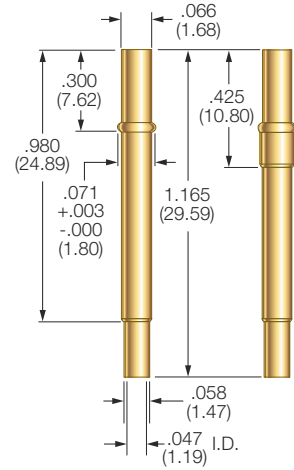
MATERIALS

Contact Barrel: G2
Spring: Music wire or stainless steel, gold plated
Plunger: Beryllium copper, Duralloy™ plated
Receptacle: Nickel/silver, gold plated; gold plated post

S-100 ROTATOR



R-100 Receptacle R Series RX Series



Drill Size: #50
Mounting Hole Size: .068/.070 (1.73/1.78)
Recommended Wire: 22-26 gage

RECEPTACLE OPTIONS

Part Number	Style	Receptacle Length	Probe/Receptacle Combined Length	Comments
R-100-CR	Crimp	1.165 (29.59)	1.495 (37.97)	—
R-100-SC	Solder Cup	1.165 (29.59)	1.495 (37.97)	—
R-100-RP	Round Post	1.540 (39.12)	1.870 (47.50)	.375 post length - .025 dia.
R-100-WW-429	Wire Wrap	1.594 (40.49)	1.924 (48.87)	.429 post length - .025 sq.
R-100-WW-694	Wire Wrap	1.859 (47.22)	2.189 (55.60)	.694 post length - .025 sq.
R-100-WW-1.044	Wire Wrap	2.209 (56.11)	2.539 (64.49)	1.044 post length - .025 sq.

HOW TO ORDER: SPRING CONTACT PROBE

S **100** **T** **4** **RT**
 SERIES SIZE TIP STYLE SPRING FORCE ROTATOR

SPRING FORCE:
 4.0 oz. @ .170 (4.32) TRAVEL
 5.5 oz. @ .170 (4.32) TRAVEL
 6.7 oz. @ .170 (4.32) TRAVEL
 8.0 oz. @ .170 (4.32) TRAVEL
 10.0 oz. @ .170 (4.32) TRAVEL

CRIMPING PLIERS: CPR100
 INSERTION TOOL: RTR100

RECEPTACLE

R **100** **WW** **429**
 SERIES SIZE TERMINATION POST LENGTH

SERIES:
R: HIGH PERFORMANCE
RX: IMPROVED POINTING ACCURACY

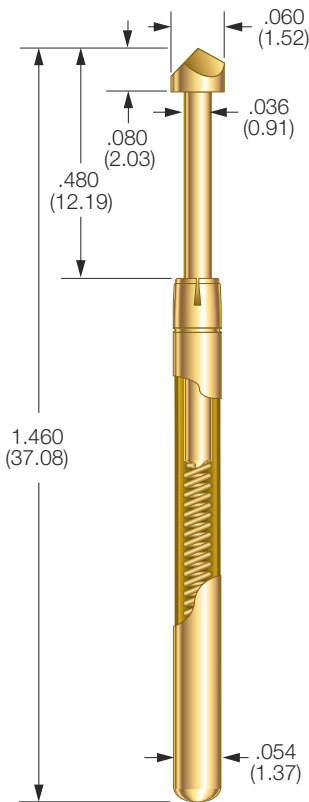
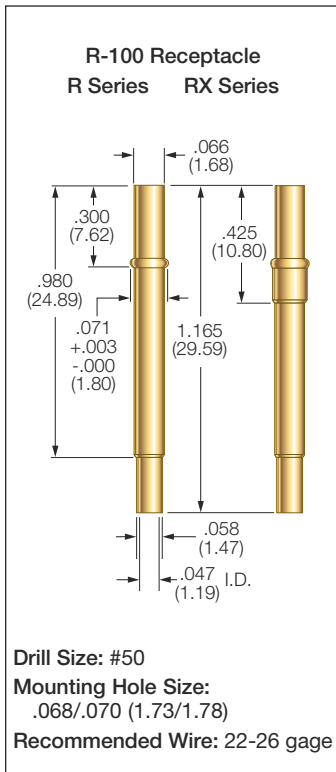
TERMINATIONS:
CR: CRIMP
SC: SOLDER CUP
RP: ROUND POST
WW: WIRE WRAP

POST LENGTH:
WW: 429, 694 or 1.044

VIEW UPDATES OF THIS INFORMATION AT WWW.IDINET.COM

Specifications subject to change without notice. Dimensions in inches (millimeters)

ICT-L100 PROBE



PROBE SPECIFICATIONS

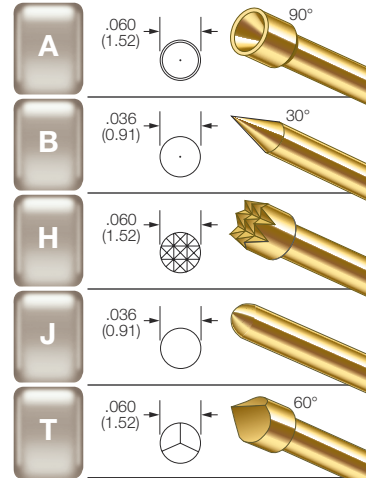
Minimum Centers: .100 (2.54)
 Current Rating: 3 amps continuous
 Spring Force: 5.7 oz. @.317 (8.05) travel
 Typical Resistance: < 10 mΩ
 Maximum Travel:
 VLT tip: .385 (9.78)
 All others: .400 (10.16)
 Working Travel: .317 (8.05)

Rated Force oz (g)	Preload oz (g)
5.7 (162)	1.8 (51)

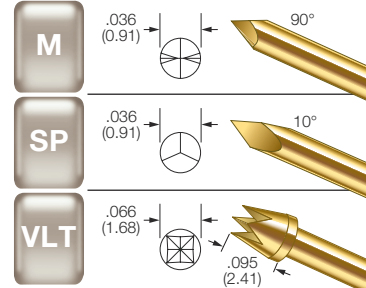
MATERIALS

Barrel: G2
 Spring: Music wire, gold plated over nickel
 Plunger: Beryllium copper or steel, gold plated over nickel
 Receptacle: Nickel/silver, gold plated; gold plated post

BeCu PLUNGER TIPS



STEEL PLUNGER TIPS



RECEPTACLE OPTIONS

Part Number	Style	Receptacle Length	Probe/Receptacle Combined Length	Comments
R-100-CR	Crimp	1.165 (29.59)	1.645 (41.78)	—
R-100-SC	Solder Cup	1.165 (29.59)	1.645 (41.78)	—
R-100-RP	Round Post	1.540 (39.12)	2.020 (51.31)	.375 post length - .025 dia.
R-100-WW-429	Wire Wrap	1.594 (40.49)	2.074 (52.68)	.429 post length - .025 sq.
R-100-WW-694	Wire Wrap	1.859 (47.22)	2.339 (59.41)	.694 post length - .025 sq.
R-100-WW-1.044	Wire Wrap	2.209 (56.11)	2.689 (68.30)	1.044 post length - .025 sq.

HOW TO ORDER: SPRING CONTACT PROBE

RECEPTACLE

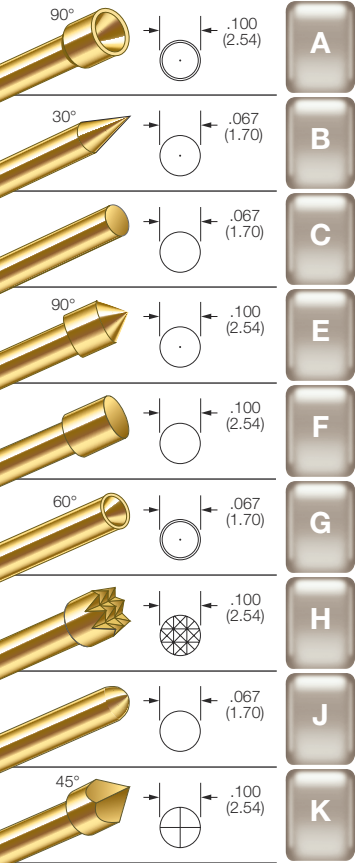
ICT	L100	T	5.7	G	S	R	100	WW	429
SERIES	SIZE	TIP STYLE	SPRING FORCE	PLATING OPTIONS	STEEL PLUNGER OPTION	SERIES	SIZE	TERMINATION	POST LENGTH
SPRING FORCE: 5.7 oz. @ .317 (8.05) travel CRIMPING PLIERS: CPR100 INSERTION TOOL: RTR100						TERMINATIONS: CR: CRIMP SC: SOLDER CUP WW: WIRE WRAP RP: ROUND POST POST LENGTH: WW: 429, 694 or 1.044			

VIEW UPDATES OF THIS INFORMATION AT WWW.IDINET.COM

Specifications subject to change without notice. Dimensions in inches (millimeters)

Series S SIZE 3 .125 CENTERS

STEEL PLUNGER TIPS



PROBE SPECIFICATIONS

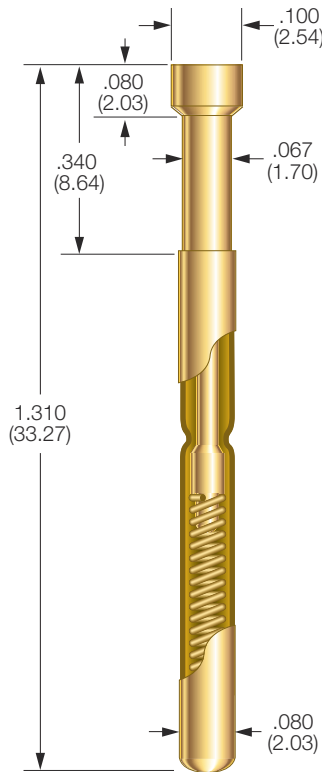
Minimum Centers: .125 (3.18)
Current Rating: 5 amps continuous
Spring Force: 4.0 or 7.0 oz. @ .170 (4.32) travel
Typical Resistance: < 20 mΩ
Maximum Travel: .250 (6.35)
Working Travel: .170 (4.32)

Rated Force oz (g)	Preload oz (g)
4.0 (113)	1.8 (51)
7.0 (198)	2.9 (82)

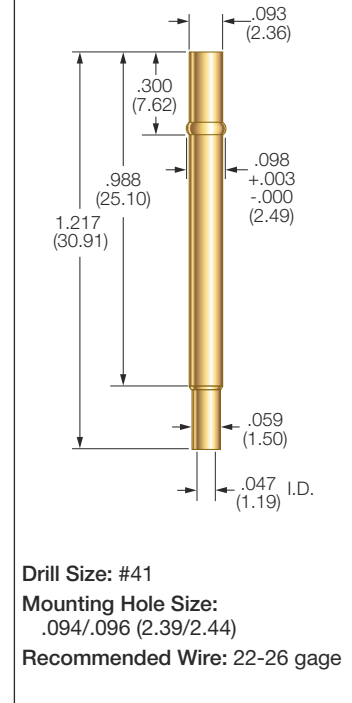
MATERIALS

Barrel: Nickel/silver, gold plated
Spring: Stainless steel, gold plated
Plunger: Beryllium copper, gold plated over nickel or Duralloy™
Receptacle: Nickel/silver, gold plated, gold plated post

S-3 PROBE



R-3 Receptacle



RECEPTACLE OPTIONS

Part Number	Style	Receptacle Length	Probe/Receptacle Combined Length	Comments
R-3-CR	Crimp	1.217 (30.91)	1.539 (39.09)	—
R-3-SC	Solder Cup	1.217 (30.91)	1.539 (39.09)	—
R-3-WW-429	Wire Wrap	1.646 (41.81)	1.968 (49.99)	.429 post length - .025 sq.

HOW TO ORDER: SPRING CONTACT PROBE

S	3	A	4	G
SERIES	SIZE	TIP STYLE	SPRING FORCE	PLATING OPTIONS

SPRING FORCE:
 4.0 oz. @ .170 (4.32) TRAVEL
 7.0 oz. @ .170 (4.32) TRAVEL

PLATING OPTIONS:
G: GOLD PLATED PLUNGER
D: DURALLOY™ PLATED PLUNGER

CRIMPING PLIERS: CP3
INSERTION TOOL: RT3

RECEPTACLE

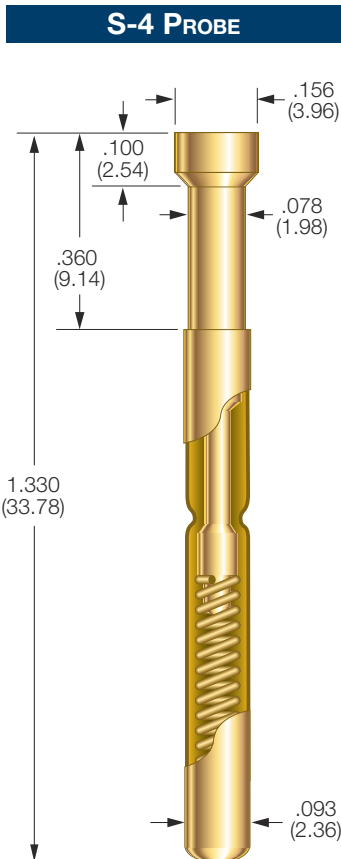
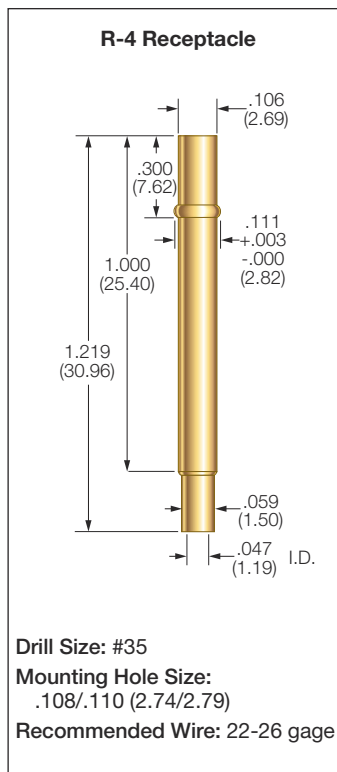
R	3	WW	429
SERIES	SIZE	TERMINATION	POST LENGTH

TERMINATIONS:
CR: CRIMP
SC: SOLDER CUP
WW: WIRE WRAP

POST LENGTH:
WW: 429

VIEW UPDATES OF THIS INFORMATION AT WWW.IDINET.COM

Specifications subject to change without notice. Dimensions in inches (millimeters)



PROBE SPECIFICATIONS

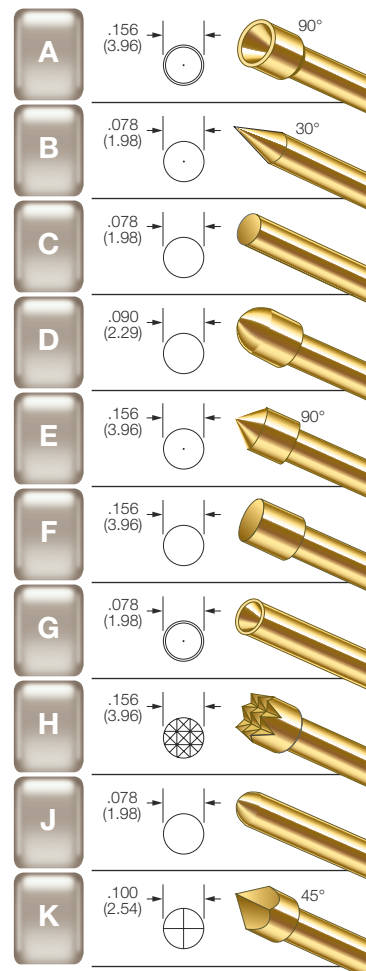
Minimum Centers:
 Tip Styles B, C, D, G, J, K
 .156 (3.96)
 Tip Styles A, E, F, H
 .187 (4.75)
 Current Rating: 5 amps continuous
 Spring Force: 5.0 or 7.0 oz. @ .170 (4.32) travel
 Typical Resistance: < 20 mΩ
 Maximum Travel: .250 (6.35)
 Working Travel: .170 (4.32)

Rated Force oz (g)	Preload oz (g)
5.0 (142)	2.0 (57)
7.0 (198)	2.8 (79)

MATERIALS

Barrel: Nickel/silver, gold plated
 Spring: Stainless steel, gold plated
 Plunger: Beryllium copper, gold plated over nickel or Duralloy™
 Receptacle: Nickel/silver, gold plated, gold plated post

BeCu PLUNGER TIPS



RECEPTACLE OPTIONS				
Part Number	Style	Receptacle Length	Probe/Receptacle Combined Length*	Comments
R-4-CR	Crimp	1.219 (30.96)	1.549 (39.34)	—
R-4-SC	Solder Cup	1.219 (30.96)	1.549 (39.34)	—
R-4-WW-429	Wire Wrap	1.648 (41.86)	1.978 (50.24)	.429 post length - .025 sq.

* Headless probes sit .020" deeper in receptacle. Dimension shown is for headed probe.

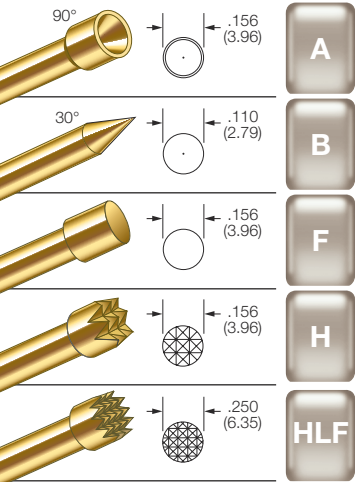
HOW TO ORDER: SPRING CONTACT PROBE					RECEPTACLE			
S	4	A	5	G	R	4	WW	429
SERIES	SIZE	TIP STYLE	SPRING FORCE	PLATING OPTIONS	SERIES	SIZE	TERMINATION	POST LENGTH
SPRING FORCE: 5.0 oz. @ .170 (4.32) TRAVEL 7.0 oz. @ .170 (4.32) TRAVEL			PLATING OPTIONS: G: GOLD PLATED PLUNGER D: DURALLOY™ PLATED PLUNGER		TERMINATIONS: CR: CRIMP SC: SOLDER CUP WW: WIRE WRAP		POST LENGTH: WW: 429	
CRIMPING PLIERS: CP4 INSERTION TOOL: RT4								

VIEW UPDATES OF THIS INFORMATION AT WWW.IDINET.COM

Specifications subject to change without notice. Dimensions in inches (millimeters)

Series S SIZE 5 .187 CENTERS

BeCu PLUNGER TIPS



PROBE SPECIFICATIONS

Minimum Centers: .187 (4.75)
.275 (6.99) for HLF tip style

Current Rating: 5 amps
continuous

Spring Force: 8.0, or 16.4 oz.
@ .170 (4.32) travel

Typical Resistance: < 8 mΩ

Maximum Travel: .250 (6.35)

Working Travel: .170 (4.32)

Rated Force oz (g)	Preload oz (g)	Material
8.0 (227)	3.1 (88)	SS
16.4 (465)	2.8 (79)	MW

MATERIALS

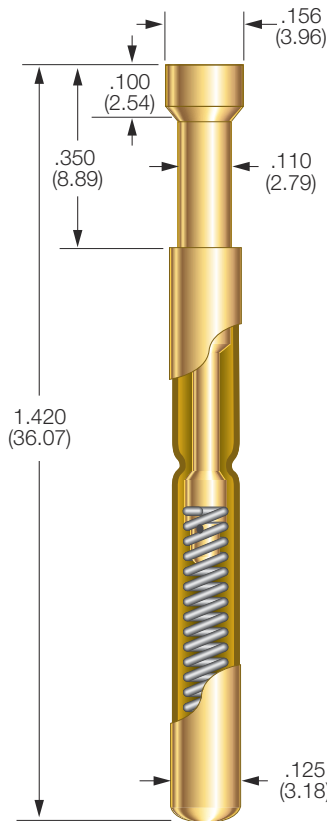
Barrel: Nickel/silver, gold plated

Spring: Music wire or stainless steel

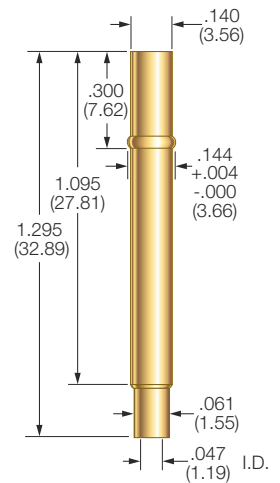
Plunger: Beryllium copper, gold plated over nickel or Duralloy™

Receptacle: Nickel/silver, gold plated, gold plated post

S-5 PROBE



R-5 Receptacle



Drill Size: 3,60mm

Mounting Hole Size:
.141/.143 (3.58/3.63)

Recommended Wire: 22-26 gage

RECEPTACLE OPTIONS

Part Number	Style	Receptacle Length	Probe/Receptacle Combined Length	Comments
R-5-CR	Crimp	1.295 (32.89)	1.620 (41.15)	—
R-5-SC	Solder Cup	1.295 (32.89)	1.620 (41.15)	—
R-5-WW-429	Wire Wrap	1.724 (43.79)	2.049 (52.04)	.429 post length - .025 sq.

HOW TO ORDER: SPRING CONTACT PROBE

S	5	A	16.4	G
SERIES	SIZE	TIP STYLE	SPRING FORCE	PLATING OPTIONS

SPRING FORCE:
8.0 oz. @ .170 (4.32) TRAVEL
16.4 oz. @ .170 (4.32) TRAVEL

CRIMPING PLIERS: CP5
INSERTION TOOL: RT5

PLATING OPTIONS:
G: GOLD PLATED PLUNGER
D: DURALLOY™ PLATED PLUNGER

RECEPTACLE

R	5	WW	429
SERIES	SIZE	TERMINATION	POST LENGTH

TERMINATIONS:
CR: CRIMP
SC: SOLDER CUP
WW: WIRE WRAP

POST LENGTH:
WW: 429

VIEW UPDATES OF THIS INFORMATION AT WWW.IDINET.COM

Specifications subject to change without notice. Dimensions in inches (millimeters)



GLOBAL SALES OFFICES

Customer Service

Kansas City, KS	913.342.5544	China	86.512.6273.1170
Sunnyvale, CA	408.834.1436	Singapore	65.6846.1655

Sales and Applications Engineering

Kansas City, KS	913.342.5544	France	33.617.93.1564
Sunnyvale, CA	408.834.1419	Germany	49.173.669.8335
Dallas, TX	972.899.2860	Italy	39.347.222.3420
Gilbert, AZ	480.682.6200	Israel	39.347.222.3420
Boston, MA	508.222.1132	United Kingdom	44.1869.245630
Southern CA	951.837.5385		
Malaysia	65.6846.1655	Philippines	63.92855.26843
Singapore	65.6846.1655	Korea	82.10.4939.3269
Taiwan	886.936.857.752	China	86.512.6273.1069

5101 Richland Ave., Kansas City, KS 66106

Phone: 913.342.5544 • Fax: 913.342.7043

E-mail: info@idinet.com

www.idinet.com

© 2011 Interconnect Devices, Inc.

INNOVATORS IN INTERCONNECT TECHNOLOGY

www.idinet.com