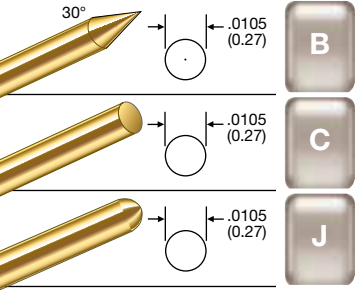


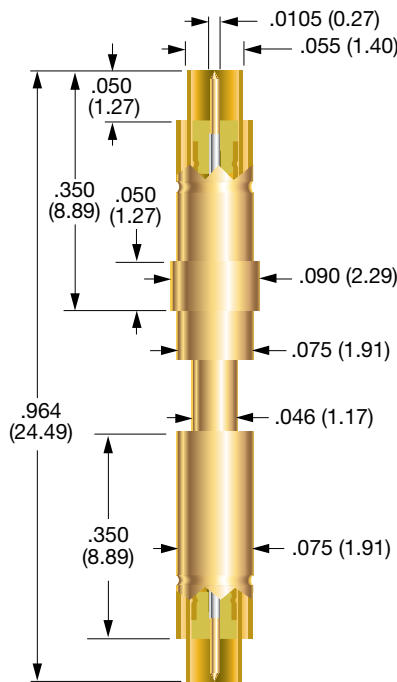
Coax Probes

Coax Probes DOUBLE ENDED

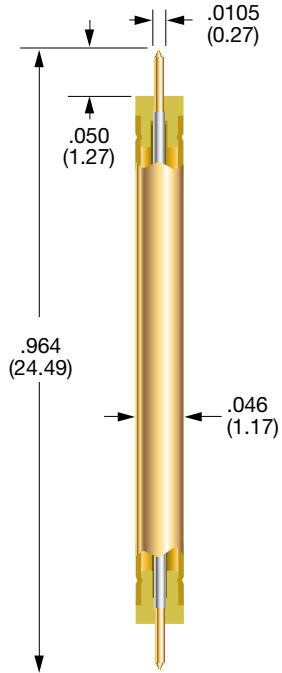
SIGNAL PLUNGERS



100546



100547



PROBE SPECIFICATIONS

Minimum Centers: .100 (2.54)
Current Rating: 0.5 amps continuous
Spring Force:
 Signal Conductor:
 1.1 oz. @ .023 (0.58) travel, each end
 Shielding Plunger:
 2.2 oz. @ .023 (0.58) travel, each end
Nominal Impedance: 50 Ω
Maximum Travel: .050 (1.27), each end
Working Travel: .023 (0.58), each end

MATERIALS

Barrel: Brass, gold plated
Spring:
 Signal Conductor: Music wire, gold plated
 Shielding Plunger: Music wire, gold plated
Shielding Plunger: Copper alloy, gold plated
Isolation Plug: Torlon
Dielectric Insulator: Air
Shielding Tube: Stainless steel, gold plated
Signal Conductor: Special Quad-0 probe

HOW TO ORDER			
100546	B	B	F
BASE PART NUMBER	TOP SIGNAL PROBE TIP	BOTTOM SIGNAL PROBE TIP	MOUNTING FLANGE

PROBE SPECIFICATIONS

Minimum Centers: .070 (1.78)
Current Rating: 0.5 amps continuous
Spring Force:
 Signal Conductor:
 1.1 oz. @ .023 (0.58) travel, each end
Nominal Impedance: 50 Ω
Maximum Travel: .050 (1.27), each end
Working Travel: .023 (0.58), each end

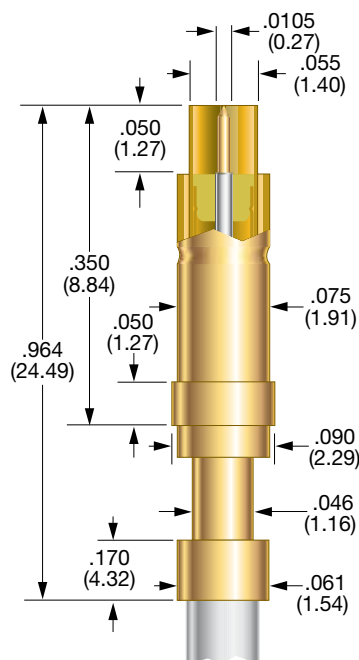
MATERIALS

Spring: Music wire, gold plated
Isolation Plug: Torlon
Dielectric Insulator: Air
Shielding Tube: Stainless steel, gold plated
Signal Conductor: Special Quad-0 probe

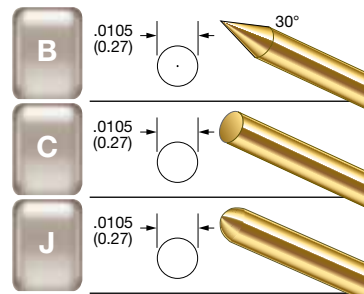
HOW TO ORDER		
100547	B	B
BASE PART NUMBER	TOP SIGNAL PROBE TIP	BOTTOM SIGNAL PROBE TIP

Specifications subject to change without notice. Dimensions in inches (millimeters)

100780



SIGNAL PLUNGER TIPS



PROBE SPECIFICATIONS

Minimum Centers: .100 (2.54)

Current Rating: 0.5 amps continuous

Spring Force:

Signal Conductor: 1.1 oz. @ .045 (1.14) travel

Shielding Plunger: 2.2 oz. @ .023 (0.58) travel

Nominal Impedance: 50 Ω

Maximum Travel: .050 (1.27)

Working Travel: .023 (0.58)

MATERIALS

Barrel: Brass, gold plated

Shielding Plunger: Beryllium copper, gold plated

Springs:

Signal Conductor: Music wire, gold plated

Shielding Plunger: Music wire, gold plated

Isolation Plug: Torton

Dielectric Insulator: Air

Shielding Tube: Stainless steel, gold plated

Signal Conductor: Special Quad 0 probe

Coaxial Cable: Semi-rigid cable

HOW TO ORDER				
100780	B	F	12	AM
BASE PART NUMBER	SIGNAL PROBE TIP	MOUNTING FLANGE	CABLE LENGTH	TERMINATION
	CABLE LENGTH:		AM: SMA MALE	
	12 - 12 INCHES		AF: SMA FEMALE	
	36 - 36 INCHES		NC: No CONNECTOR	

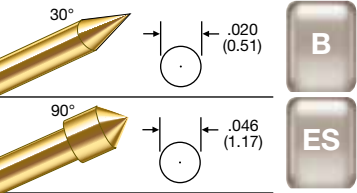
* WHEN ORDERING WITH A PREATTACHED CONNECTOR, PLEASE NOTE THAT THE CONNECTOR WILL NOT FIT THROUGH THE PROBE MOUNTING HOLE. THE PROBE MUST BE INSERTED FROM THE BOTTOM SIDE OF THE MOUNTING PLATE.

CONSULT IDI FOR MORE INFORMATION.

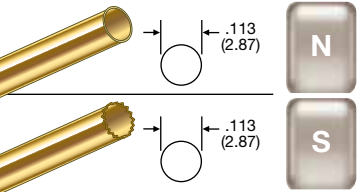
Specifications subject to change without notice. Dimensions in inches (millimeters)

Coax Probes SMB CONNECTOR

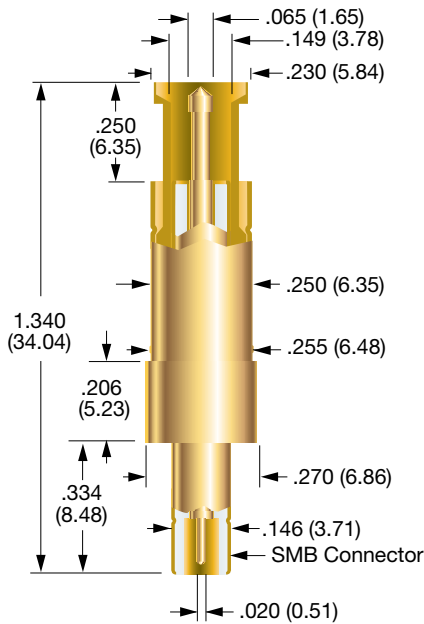
100559 & 100910 SIGNAL PLUNGERS



100559 & 100910 SHIELDING PLUNGERS



100563



PROBE SPECIFICATIONS

Minimum Centers: .300 (7.62)
 Current Rating: 3 amps continuous
 Spring Force:
 Signal Conductor:
 2.3 oz. @ .107 (2.72) travel
 Shielding Plunger:
 5.8 oz. @ .107 (2.72) travel
 Nominal Impedance: 50 Ω
 Maximum Travel: .170 (4.32)
 Working Travel: .107 (2.72)

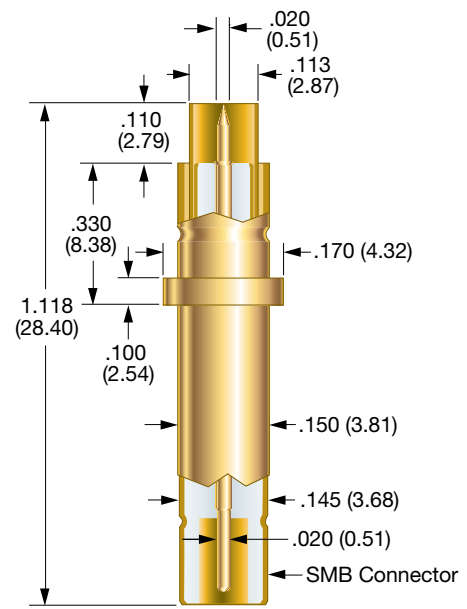
MATERIALS

Barrel: Brass, gold plated
 Spring:
 Signal Conductor:
 Beryllium copper, gold plated
 Shielding Plunger:
 Stainless steel, gold plated
 Shielding Plunger: Brass, gold plated
 Dielectric Insulator: Teflon
 Shielding Tube: Stainless steel, gold plated
 Signal Conductor: 100954

HOW TO ORDER

100563	E
BASE PART NUMBER	SIGNAL PROBE TIP

100559 & 100910



PROBE SPECIFICATIONS

Minimum Centers: .300 (7.62)
 Current Rating: 3 amps continuous
 Spring Force:
 Signal Conductor:
 1.6 oz. @ .070 (1.78) travel: tip B
 2.0 oz. @ .070 (1.78) travel: tip ES
 Shielding Plunger:
 4.3 oz. @ .070 (1.78) travel
 Nominal Impedance: 50 Ω
 Maximum Travel:
 .090 (2.29) for tip B
 .075 (1.91) for tip ES
 Working Travel: .070 (1.78)

MATERIALS

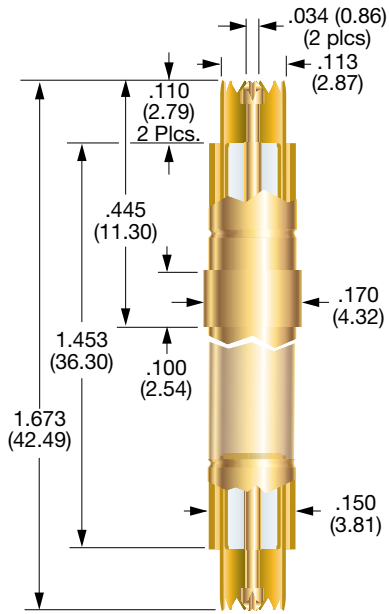
Barrel: Brass, gold plated
 Spring:
 Signal Conductor:
 Beryllium copper, gold plated
 Shielding Plunger:
 Stainless steel, gold plated
 Shielding Plunger:
 Beryllium copper, gold plated
 Dielectric Insulator: Teflon
 Shielding Tube: Brass, gold plated
 Signal Conductor: Series S, Size 00

HOW TO ORDER

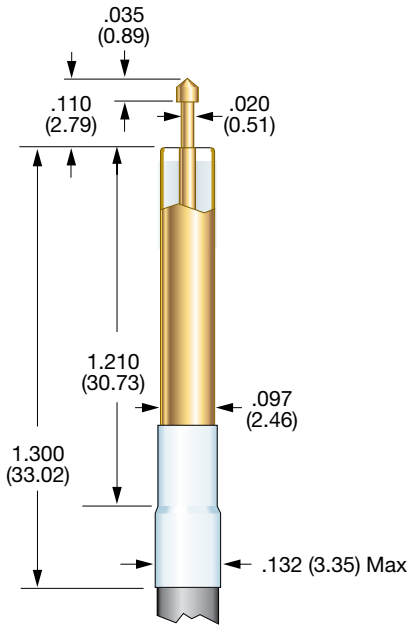
100559	B	S
BASE PART NUMBER	SIGNAL PROBE TIP	SHIELDING PLUNGER
100559 WITHOUT FLANGE		S: SERRATED
100910 WITH FLANGE		N: FLAT

Specifications subject to change without notice. Dimensions in inches (millimeters)

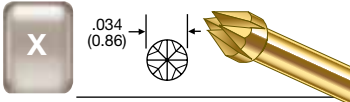
101097



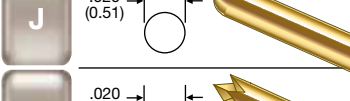
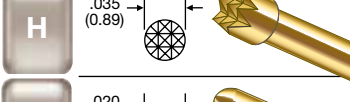
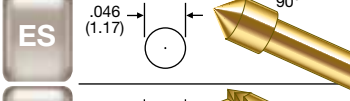
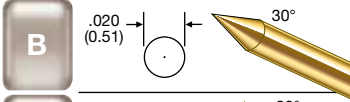
100526



101097 SIGNAL TIP



100526 SIGNAL TIPS



PROBE SPECIFICATIONS

Minimum Centers: .200 (5.08)
Current Rating: 3 amps continuous
Spring Force:
 Signal Conductor:
 1.6 oz. @ .037 (0.94) travel, each end
 Shielding Plunger:
 3.4 oz. @ .037 (0.94) travel, each end
Nominal Impedance: 50 Ω
Maximum Travel: .075 (1.91) each end
Working Travel: .037 (0.94) each end

MATERIALS

Barrel: Brass, gold plated
Spring: Stainless steel, gold plated
Shielding Plunger: Beryllium copper, gold plated
Dielectric Insulator: Teflon
Shielding Tube: Brass, gold plated
Signal Conductor: 100617-000 probe

PROBE SPECIFICATIONS

Minimum Centers: .150 (3.18)
Current Rating: 3 amps continuous
Spring Force:
 Signal Conductor:
 1.6 oz. @ .070 (1.78) travel: tips B, J, U
 2.0 oz. @ .070 (1.78) travel: tips ES, H
Nominal Impedance: 50 Ω
Maximum Travel:
 .090 (2.29) for tips B, J, & U
 .075 (1.91) for tips ES, & H
Working Travel: .070 (1.78)

MATERIALS

Spring: Beryllium copper, gold plated
Dielectric Insulator: Teflon
Shielding Tube: Brass, gold plated
Signal Conductor: Series S, Size 00 probe
Coaxial Cable: RG 316

HOW TO ORDER

101097	X	X
BASE PART NUMBER	TOP SIGNAL PROBE TIP	BOTTOM SIGNAL PROBE TIP

HOW TO ORDER

100526	ES	12	AM
BASE PART NUMBER	SIGNAL PROBE TIP	CABLE LENGTH	TERMINATION
CABLE LENGTH: 12 - 12 INCHES 36 - 36 INCHES		NC: No Connector AM: SMA MALE AF: SMA FEMALE	

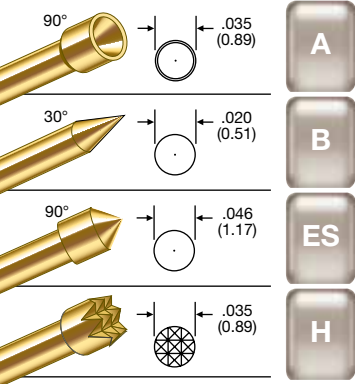
* WHEN ORDERING WITH A PREATTACHED CONNECTOR, PLEASE NOTE THAT THE CONNECTOR WILL NOT FIT THROUGH THE PROBE MOUNTING HOLE. THE PROBE MUST BE INSERTED FROM THE BOTTOM SIDE OF THE MOUNTING PLATE.

CONSULT IDI FOR MORE INFORMATION.

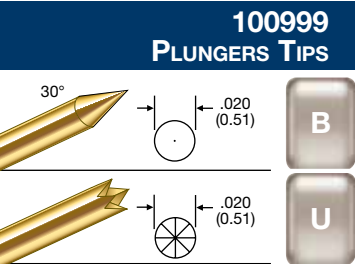
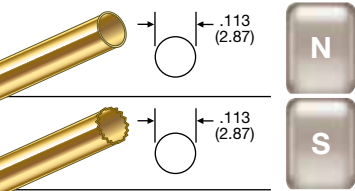
Specifications subject to change without notice. Dimensions in inches (millimeters)

Coax Probes ATTACHED CABLE

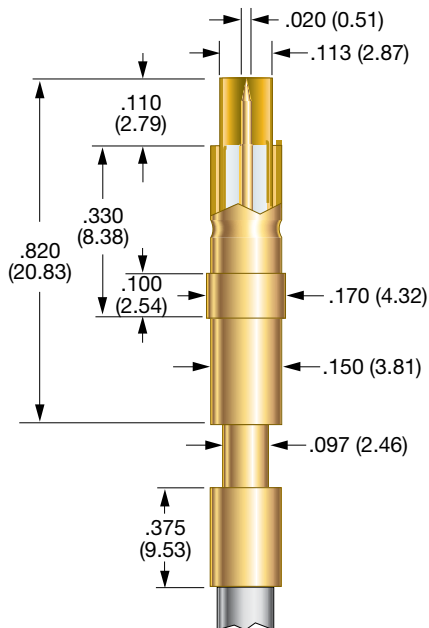
100445 & 100746 SIGNAL PLUNGERS



100445 & 100746 SHIELDING PLUNGERS



100445/100746



PROBE SPECIFICATIONS

Minimum Centers: .200 (5.08)
Current Rating: 3 amps continuous
Spring Force: Signal Conductor:
 B Tip: 1.6 oz. @ .070 (1.78) travel
 A, ES, H Tips: 2.0 oz. @ .070 (1.78) travel
 Shielding Plunger: 4.3 oz. @ .070 (1.78) travel
Nominal Impedance: 50 Ω
Maximum Travel:
 .090 (2.29) for tip B
 .075 (1.91) for tips A, ES, H
Working Travel: .070 (1.78)

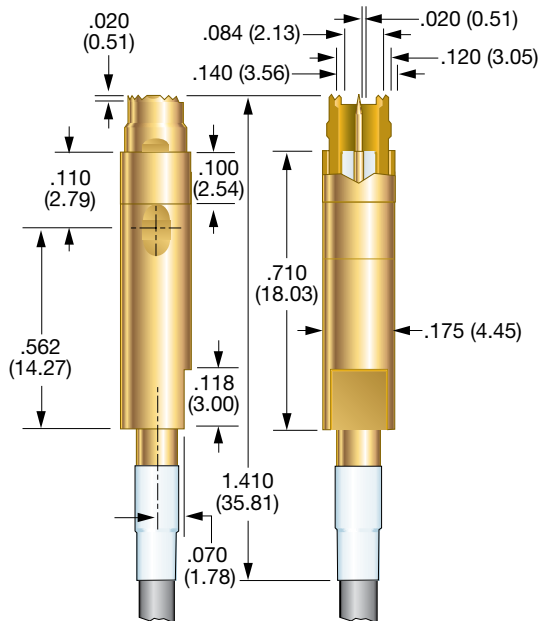
MATERIALS

Barrel: Brass, gold plated
Spring:
 Signal Conductor: Beryllium copper, gold plated
 Shielding Plunger: Stainless steel, gold plated
Shielding Plunger: Beryllium copper, gold plated
Dielectric Insulator: Teflon
Shielding Tube: Stainless steel, gold plated
Signal Conductor: Series S, Size 00 probe
Crimp Ferrule: Brass, gold plated
Coaxial Cable: 100445: RG 174U
 100746: RG 316

HOW TO ORDER

100445	B	F	N	12	AM
BASE PART NUMBER	SIGNAL PROBE TIP	MOUNTING FLANGE	SHIELDING PLUNGER	CABLE LENGTH	CABLE TERMINATION
			N: WITHOUT FLANGE F: WITH FLANGE		
SHIELDING PLUNGER:		CABLE LENGTH:		AM: SMA MALE	
S: SERRATED		12 - 12 INCHES		AF: SMA FEMALE	
N: FLAT		36 - 36 INCHES		NC: NO CONNECTOR	

100999



PROBE SPECIFICATIONS

Minimum Centers: .200 (5.08)
Current Rating: 3 amps continuous
Spring Force: Signal Conductor:
 B Tip: 1.6 oz. @ .070 (1.78) travel
 U Tip: 3.3 oz. @ .070 (1.78) travel
 Shielding Plunger: 4.5 oz. @ .070 (1.78) travel
Nominal Impedance: 50 Ω
Maximum Travel: .090 (2.29)
Working Travel: .070 (1.78)

MATERIALS

Barrel: Brass, gold plated
Spring:
 Signal Conductor: Beryllium copper, gold plated
 Shielding Plunger: Stainless steel, gold plated
Shielding Plunger: Beryllium copper, gold plated
Dielectric Insulator: Teflon
Shielding Tube: Brass, gold plated
Signal Conductor: Series S, Size 00 probe
Coaxial Cable: Semi-flex or flex cable

HOW TO ORDER

100999	B	12	AM	F
BASE PART NUMBER	SIGNAL PROBE TIP	CABLE LENGTH	TERMINATION	CABLE TYPE
CABLE LENGTH:		AM: SMA MALE		F: FLEX
12 - 12 INCHES		AF: SMA FEMALE		S: SEMI-FLEX
36 - 36 INCHES		NC: NO CONNECTOR		

* WHEN ORDERING WITH A PREATTACHED CONNECTOR, PLEASE NOTE THAT THE CONNECTOR WILL NOT FIT THROUGH THE PROBE MOUNTING HOLE. THE PROBE MUST BE INSERTED FROM THE BOTTOM SIDE OF THE MOUNTING PLATE.

CONSULT IDI FOR MORE INFORMATION.

Specifications subject to change without notice. Dimensions in inches (millimeters)



INTERCONNECT DEVICES, INC.

GLOBAL SALES OFFICES

Customer Service

Kansas City, KS	913.342.5544	China	86.512.6273.1170
Sunnyvale, CA	408.834.1436	Singapore	65.6846.1655

Sales and Applications Engineering

Kansas City, KS	913.342.5544	France	33.617.93.1564
Sunnyvale, CA	408.834.1419	Germany	49.173.669.8335
Dallas, TX	972.899.2860	Italy	39.347.222.3420
Gilbert, AZ	480.682.6200	Israel	39.347.222.3420
Boston, MA	508.222.1132	United Kingdom	44.1869.245630
Southern CA	951.837.5385		
Malaysia	65.6846.1655	Philippines	63.92855.26843
Singapore	65.6846.1655	Korea	82.10.4939.3269
Taiwan	886.936.857.752	China	86.512.6273.1069

5101 Richland Ave., Kansas City, KS 66106

Phone: 913.342.5544 • Fax: 913.342.7043

E-mail: info@idinet.com

www.idinet.com

© 2011 Interconnect Devices, Inc.

INNOVATORS IN INTERCONNECT TECHNOLOGY

www.idinet.com